



DUO OPTIM 105-245

Series for continuous soft water production used in light commercial application, boiler feed, cooling towers, industrial applications and other processes.

- 5 – cycle automatic valve
- Softening media – ion exchange strong cation resin
- Corrosion resistant fiberglass tank
- Separate brine tank
- Smart controllers ensure 100% soft water despite of water consumption through 24h/day
- High efficiency of hardness ion exchange
- High technology valve
- Volumetric controller
- Alternating or parallel system work
- Memory backup, time of each cycle programmable, measured and displayed flow rate, displayed capacity remaining in volume of water to resin exhausted



Valve LOGIX

Softeners two-columns (data for one column):

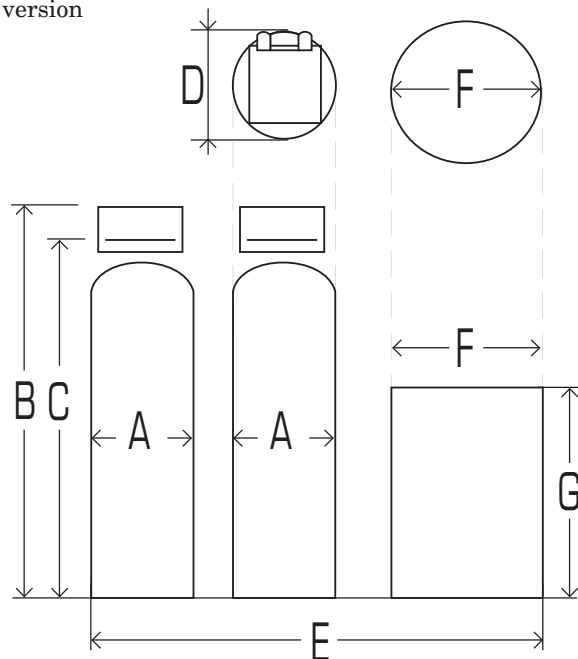
MODEL	Ion capacity [°F x m ³]	Salt ⁽¹⁾ consumption [kg/ 1 reg.]	Flow rate nominal [m ³ / h]	Flow rate maximal [m ³ / h]	Pressure drop ⁽²⁾ [bar]	Resin volume [dm ³]	Salt tank volume [dm ³]
DUO OPTIM 105	400 - 700	8 - 22	3,0	4,2 / 8,4*	0,6	100	190
DUO OPTIM 125	520 - 910	10 - 29	3,2	4,5 / 9,0*	0,6	130	190
DUO OPTIM 145	600 - 1050	12 - 33	3,8	4,8 / 9,6*	0,9	150	340
DUO OPTIM 175	720 - 1260	14 - 40	4,5	5,0 / 10,0*	1,1	180	340
DUO OPTIM 205	840 - 1470	17 - 46	5,0	5,2 / 10,4*	1,2	210	460
DUO OPTIM 245	1000 - 1750	20 - 55	5,5	5,5 / 11,0*	1,5	250	460

⁽¹⁾ Depends on used ion capacity

⁽²⁾ At nominal flow rate

^(*) At work both columns (except for regeneration) in a parallel version

Common data	Value	units
Connection inlet/outlet	1 lub 1,5	cal
Drain line connection	3/4	cal
Pressure min/max	2 - 8	bar
Max. temperature	1 - 38	OC
Power connection	220/12	V/AC



Dimensions MODEL	A - tank diameter [cm]	B - heigh [cm]	C - heigh to connections [cm]	D - deep [cm]	E - connect. distance [cm]	F - salt tank diameter [cm]	G - heigh salt tank [cm]
DUO OPTIM 105	36	192	182	42	166	50	108
DUO OPTIM 125	41	192	182	42	171	50	108
DUO OPTIM 145	49	192	182	49	192	64	115
DUO OPTIM 175	49	192	182	49	192	64	115
DUO OPTIM 205	53	183	173	53	207	74	115
DUO OPTIM 245	61	203	193	61	215	74	115



H₂Optim Sp. z o.o. Sp. K.
Baranowo, ul. Poznańska 40
62-081 Przeźmierowo / Poznań, Poland

tel.: +48 61 8200 905, +48 61 8200 701, fax: +48 61 8244 051
e-mail: biuro@h2optim.pl, www.h2optim.pl

DUO OPTIM 105-245