



Distributor Catalog 1

Quick Connect 0.2 mm slot

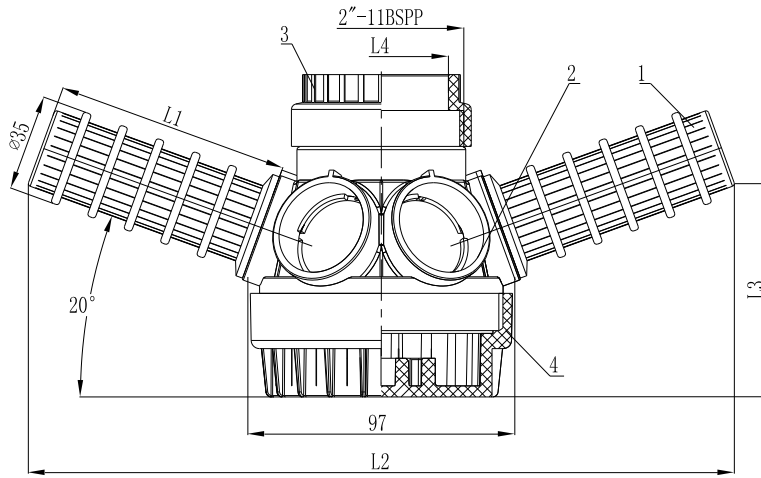
English Connection

www.wave-cber.com

Wave Cyber (Shanghai) Co., Ltd.

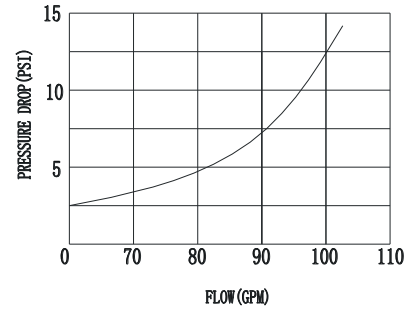
151119WCDE-1A

TOP MOUNT 6 LATERAL (Φ35MM) DISTRIBUTOR (12" ~ 21" TANKS) QUICK CONNECTION SLOT: 0.2mm



REMARK: 1PSI=0.007MPa, 1GPM=227L/H

10920-03, 10920-05



10920-07, 10920-09,

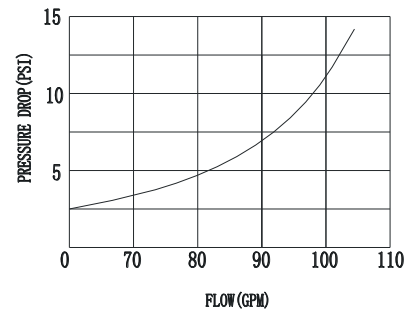


CHART 1- COMPONENTS

ITEM	PART NUMBER	DESCRIPTION	QTY
1	SEE CHART 2	Φ35 LATERAL	6
2	50172	HUB	1
3	50174	1.5" PIPE (1.901" O.D.) ABS	1
4	50235	BOTTOM CAP	1
TOOL	50177	SPLINE	1

CHART 2 –Φ35MM LATERAL PART NUMBERS

PART NUMBER	L1(MM)	L2(MM)	L3(MM)	TANK DIAMETER (INCHES/MM)
50168	100	281	82	12"(310MM)
50169	114	307	87	13" AND 14" (336MM~363MM)
50170	142	360	96	16"(413MM)
50171	184	439	110	18" AND 21"(486~555MM)

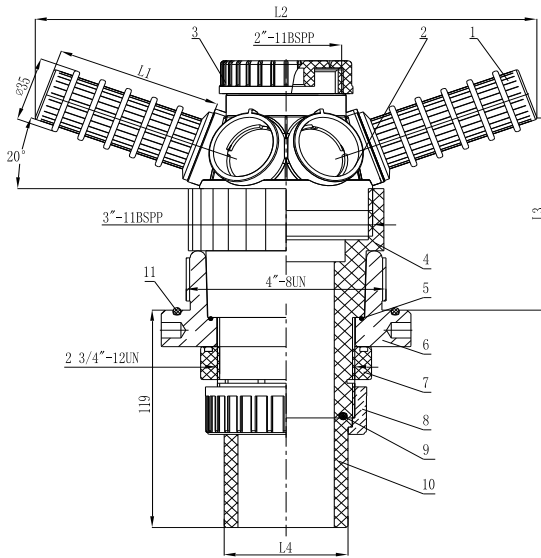
CHART 3 – COMPLETE ASSEMBLY PART NUMBERS (0.2MM SLOT)

ENGLISH CONNECTION 1.5" PIPE (1.901" O.D.)

ASSEMBLY PART NUMBER	TANK DIAMETER(INCHES)	Φ35 LATERAL PART NUMBER
10920-03	12"	50168
10920-05	13"/14"	50169
10920-07	16"	50170
10920-09	18"/21"	50171

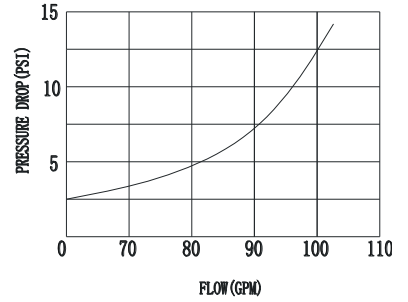


BOTTOM MOUNT 6 LATERAL (Φ35MM) DISTRIBUTOR (12" ~ 21" TANKS) QUICK CONNECTION SLOT: 0.2mm



REMARK: 1PSI=0.007MPa, 1GPM=227L/H

10921-03, 10921-05



10921-07, 10921-09

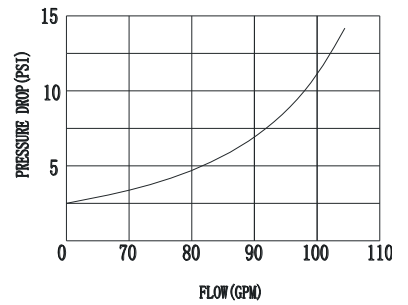


CHART 1- COMPONENTS

ITEM	PART NUMBER	DESCRIPTION	QTY
1	SEE CHART 2	Φ35 LATERAL	6
2	50172	HUB	1
3	50176	TOP CAP	1
4	50178	TUBE	1
5	10833	O RING	1
6	11017	4" ADAPTER	1
7	50179	NUT	1
8	10715	UNION	1
9	10834	O RING	1
10	10716	2" PIPE (2.374" O.D.) PVC	1
11	10229	O RING	1
TOOL	50177	SPLINE	1

CHART 2 –Φ35MM LATERAL PART NUMBERS

PART NUMBER	L1(MM)	L2(MM)	L3(MM)	TANK DIAMETER (INCHES/MM)
50168	100	281	82	12"(310MM)
50169	114	307	87	13" AND 14" (336MM~363MM)
50170	142	360	96	16"(413MM)
50171	184	439	110	18" AND 21"(486~555MM)

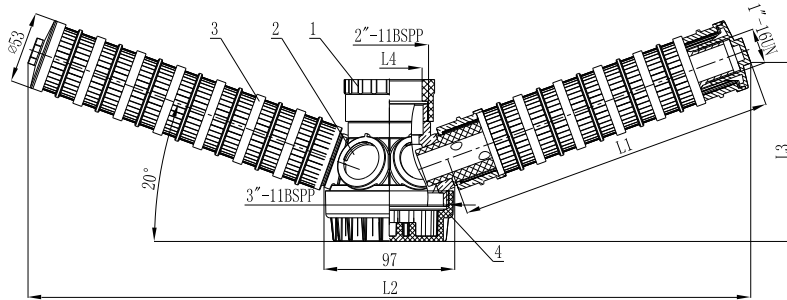
**CHART 3 – COMPLETE ASSEMBLY PART NUMBERS (0.2MM SLOT)
ENGLISH CONNECTION 2" PIPE (2.374" O.D.)**

ASSEMBLY PART NUMBER	TANK DIAMETER(INCHES)	Φ35 LATERAL PART NUMBER
10921-03	12"	50168
10921-05	13"/14"	50169
10921-07	16"	50170
10921-09	18"/21"	50171



TOP MOUNT 6 LATERAL (Φ53MM) DISTRIBUTOR (18" ~ 48" TANKS) QUICK CONNECTION

SLOT: 0.2mm



REMARK: 1PSI=0.007MPa, 1GPM=227L/H

CHART 1- COMPONENTS

ITEM	PART NUMBER	DESCRIPTION	QTY
1	SEE CHART 3	ADAPTER	1
2	50172	HUB	1
3	SEE CHART 2	Φ53 LATERAL ASSEMBLY	6
4	50235	BOTTOM CAP	1
TOOL	50177	SPLINE	1

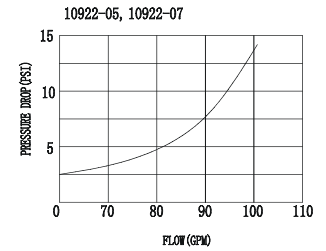
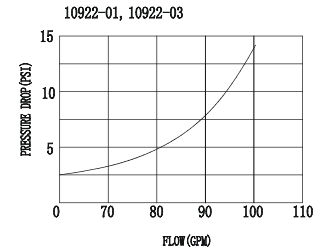


CHART 2 –Φ53MM LATERAL PART NUMBERS

SLOT SIZE	PART NUMBER	L1(MM)	L2(MM)	L3(MM)	TANK DIAMETER (INCHES/MM)
0.2MM	10924	143	365	103	18"(486MM)
0.2MM	10934	175	425	114	21"(555MM)
0.2MM	10935	239	545	136	24"(624MM)
0.2MM	10936	303	666	158	30"(779MM)
0.2MM	10937	367	786	180	36"(931MM)
0.2MM	10938	431	906	200	42"(1089MM)
0.2MM	10939	559	1147	246	48"(1233MM)

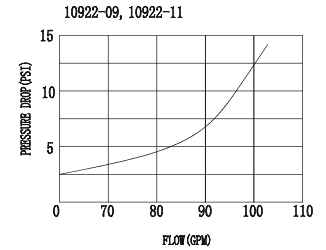


CHART 3 – ADAPTER PART NUMBERS

PART NUMBER	CENTRAL PIPE DIAMETER	L4(MM)
50174	1.5"PIPE (1.901"O.D.) ABS BLACK(SOCKET FIT)	48.5
10726	2"PIPE (2.374"O.D.) ABS BLACK(SOCKET FIT)	60.5

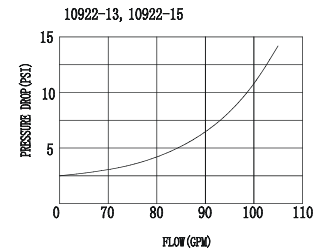
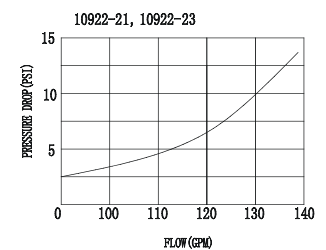
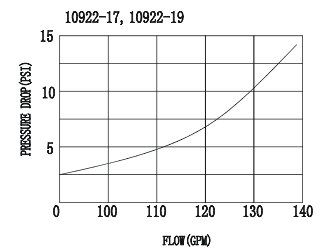


CHART 4 – COMPLETE ASSEMBLY PART NUMBERS (0.2MM SLOT)

ENGLISH CONNECTION 1.5"PIPE (1.901" O.D.) OR 2" PIPE (2.374" O.D.)

ASSEMBLY PART NUMBER	TANK DIAMETER (INCHES)	Φ53 LATERAL ASSEMBLY PART NUMBER	ADAPTER PART NUMBER
10922-01	18"	10924	50174-E
10922-03	18"	10924	10726-E
10922-05	21"	10934	50174-E
10922-07	21"	10934	10726-E
10922-09	24"	10935	50174-E
10922-11	24"	10935	10726-E
10922-13	30"	10936	50174-E
10922-15	30"	10936	10726-E
10922-17	36"	10937	50174-E
10922-19	36"	10937	10726-E
10922-21	42"	10938	10726-E
10922-23	48"	10939	10726-E

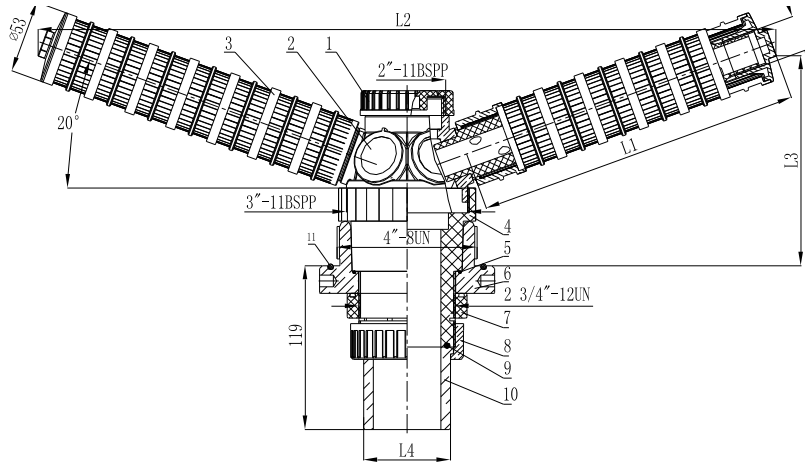


NOTE: 42" - 48" ARE FOR 2" PIPE ONLY



BOTTOM MOUNT 6 LATERAL (Φ53MM) DISTRIBUTOR (18" ~ 48" TANKS) QUICK CONNECTION

SLOT: 0.2mm



REMARK: 1PSI=0.007MPa, 1GPM=227L/H

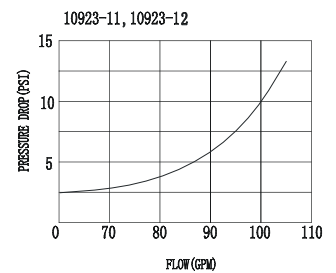
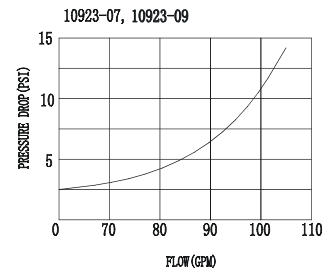
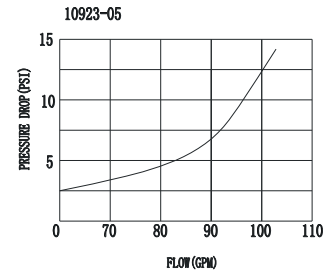
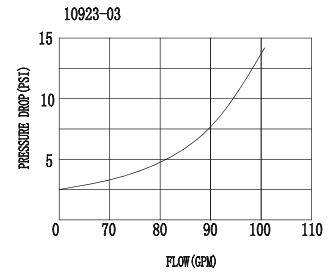
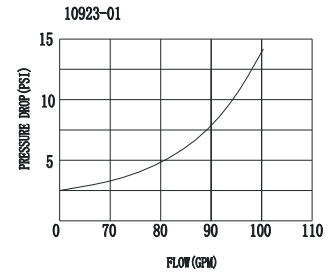


CHART 1- COMPONENTS

ITEM	PART NUMBER	DESCRIPTION	QTY
1	50176	TOP CAP	1
2	50172	HUB	1
3	SEE CHART 2	Φ53 LATERAL ASSEMBLY	6
4	50238	TUBE	1
5	10833	O RING	1
6	11017	4" ADAPTER	1
7	50179	NUT	1
8	10715	UNION	1
9	10834	O RING	1
10	10716	2" PIPE (2.374" O.D.)	1
11	10229	O RING	1
TOOL	50177	SPLINE	1

CHART 2 –Φ53MM LATERAL PART NUMBERS

SLOT SIZE	PART NUMBER	L1(MM)	L2(MM)	L3(MM)	TANK DIAMETER (INCHES/MM)
0.2MM	10924	143	365	103	18"(486MM)
0.2MM	10934	175	425	114	21"(555MM)
0.2MM	10935	239	545	136	24"(624MM)
0.2MM	10936	303	666	158	30"(779MM)
0.2MM	10937	367	786	180	36"(931MM)
0.2MM	10938	431	906	200	42"(1089MM)
0.2MM	10939	559	1142	246	48"(1233MM)

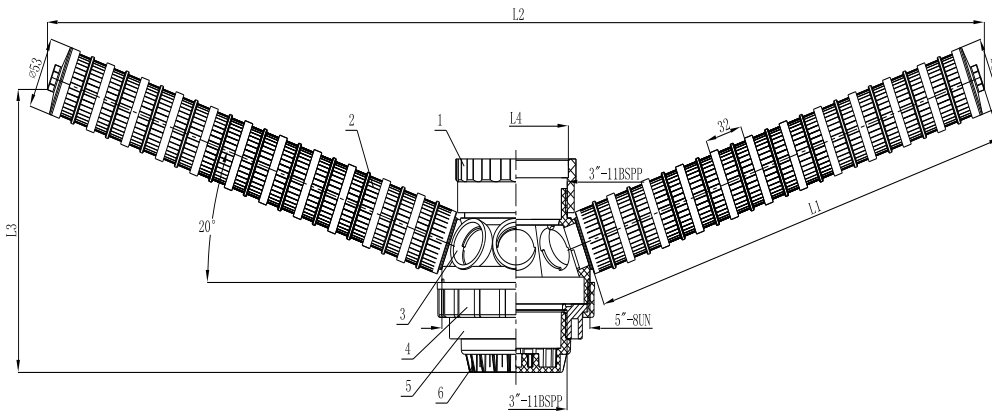
CHART 3 – COMPLETE ASSEMBLY PART NUMBERS (0.2MM SLOT)
ENGLISH CONNECTION 2"(2.374"O.D.)

ASSEMBLY PART NUMBER	TANK DIAMETER(INCHES)	Φ53 LATERAL PART NUMBER
10923-01	18"	10924
10923-03	21"	10934
10923-05	24"	10935
10923-07	30"	10936
10923-09	36"	10937
10923-11	42"	10938
10923-12	48"	10939



TOP MOUNT 8 LATERAL (Φ53MM) DISTRIBUTOR (21" ~ 63" TANKS) QUICK CONNECTION

SLOT: 0.2mm



REMARK: 1PSI=0.007MPa, 1GPM=227L/H

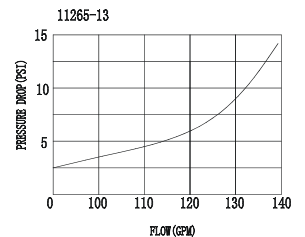
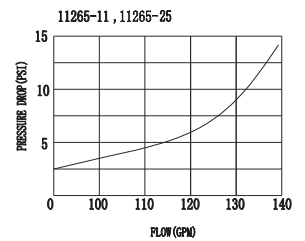
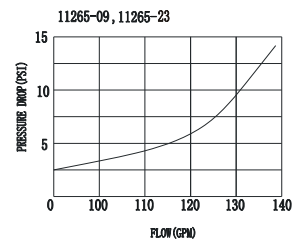
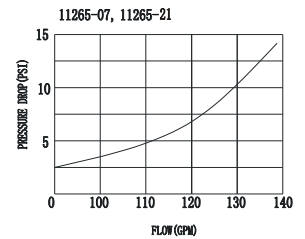
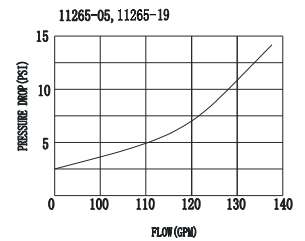
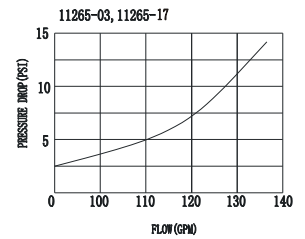
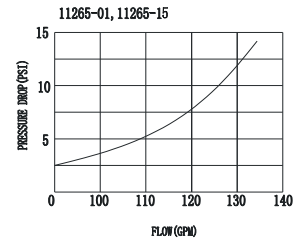


CHART 1- COMPONENTS

ITEM	PART NUMBER	DESCRIPTION	QTY
1	SEE CHART 3	ADAPTER	1
2	SEE CHART 2	Φ53 LATERAL ASSY	8
3	50194	HUB	1
4	50197	TOP ADAPTER	1
5	50198	BOTTOM ADAPTER	1
6	50236	BOTTOM CAP	1

CHART 2 –Φ53MM LATERAL PART NUMBERS

SOLT SIZE	PART NUMBER	L1(MM)	L2(MM)	L3(MM)	TANK DIAMETER (INCHES/MM)
0.2MM	10934	175	458	148	21"(555MM)
0.2MM	10935	239	579	170	24"(624MM)
0.2MM	10936	303	699	192	30"(779MM)
0.2MM	10937	367	819	214	36"(931MM)
0.2MM	10938	431	939	236	42"(1089MM)
0.2MM	10939	559	1180	280	48"(1233MM)
0.2MM	10940	687	1420	324	63"(1625MM)

CHART 3 – ADAPTER PART NUMBERS

PART NUMBER	CENTRAL PIPE DIAMETER	L4(MM)
11069 AND 11069-1	3"PIPE (3.5"O.D.) ABS BLACK AND PVC GREY(SOCKET FIT)	88.9
11422	2"PIPE (2.374"O.D.) ABS BLACK(SOCKET FIT)	60.5



TOP MOUNT 8 LATERAL (Φ53MM) DISTRIBUTOR (21" ~ 63" TANKS) QUICK CONNECTION SLOT: 0.2mm



CHART 4 – COMPLETE ASSEMBLY PART NUMBERS (0.2MM SLOT)

ENGLISH CONNECTION 3" PIPE (3.5" O.D.)

ASSEMBLY PART NUMBER	TANK DIAMETER (INCHES)	Φ53 LATERAL PART NUMBER	ADAPTER PART NUMBER
11265-01	21"	10934	11069 AND 11069-1
11265-03	24"	10935	11069 AND 11069-1
11265-05	30"	10936	11069 AND 11069-1
11265-07	36"	10937	11069 AND 11069-1
11265-09	42"	10938	11069 AND 11069-1
11265-11	48"	10939	11069 AND 11069-1
11265-13	63"	10940	11069 AND 11069-1

ENGLISH CONNECTION 2" PIPE (2.374" O.D.)

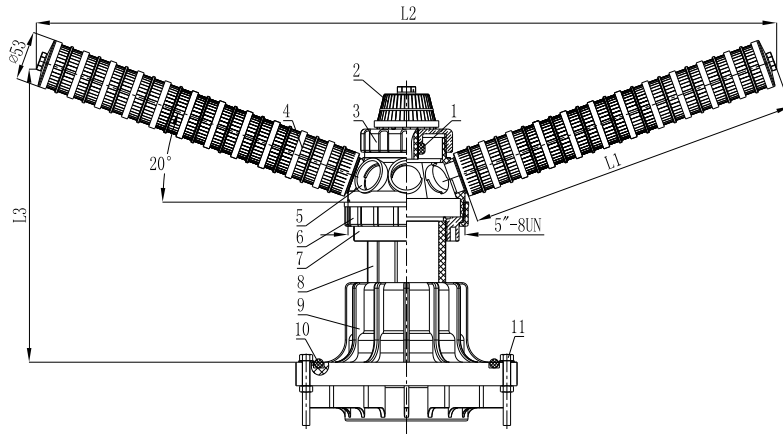
ASSEMBLY PART NUMBER	TANK DIAMETER (INCHES)	Φ53 LATERAL PART NUMBER	ADAPTER PART NUMBER
11265-15	21"	10934	11422
11265-17	24"	10935	11422
11265-19	30"	10936	11422
11265-21	36"	10937	11422
11265-23	42"	10938	11422
11265-25	48"	10939	11422

RECOMMEND 6" FLANGE CLOSURE KITS 10584, 10585, 10916, OR 10917 ON 42"-48"-63" TANKS.



BOTTOM MOUNT 8 LATERAL (Φ53MM) DISTRIBUTOR (21" ~ 63" TANKS) QUICK CONNECTION

SLOT: 0.2mm



REMARK: 1PSI=0.007MPa, 1GPM=227L/H

CHART 1- COMPONENTS

ITEM	PART NUMBER	DESCRIPTION	QTY
1	50195	NUT	1
2	10925	FILTER NOZZLE	1
3	50193	CAP	1
4	SEE CHART 2	Φ53 LATERAL ASSEMBLY	8
5	50194	HUB	1
6	50197	TOP ADAPTER	1
7	50198	BOTTOM ADAPTER	1
8	50255	ENGLISH TUBE	1
9	FLANGE KIT SOLD SEPARATELY , SEE PAGE 39,40.	FLANGE	0
10		O RING	0
11		BOLT KIT	0

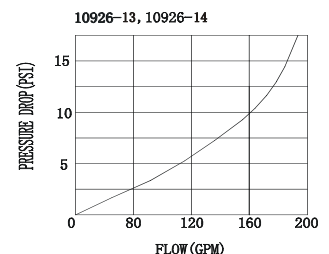
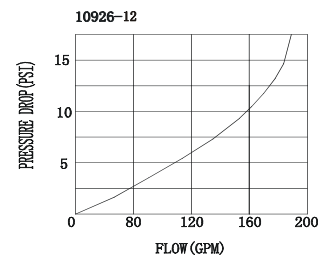
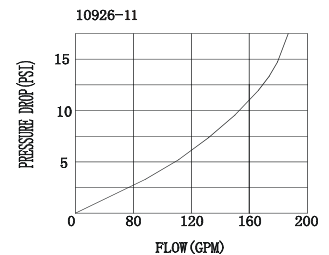
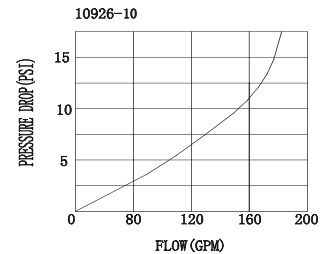
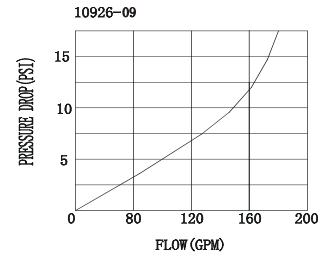
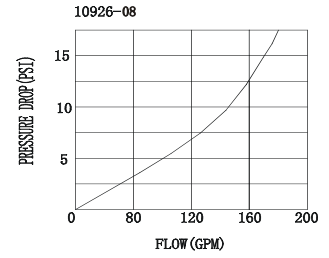
CHART 2 –Φ53MM LATERAL PART NUMBERS

SOLT SIZE	PART NUMBER	L1(MM)	L2(MM)	L3(MM)	TANK DIAMETER (INCHES/MM)
0.2MM	10934	175	458	148	21"(555MM)
0.2MM	10935	239	579	170	24"(624MM)
0.2MM	10936	303	699	192	30"(779MM)
0.2MM	10937	367	819	214	36"(931MM)
0.2MM	10938	431	939	236	42"(1089MM)
0.2MM	10939	559	1180	280	48"(1233MM)
0.2MM	10940	687	1420	324	63"(1625MM)

CHART 3 – COMPLETE ASSEMBLY PART NUMBERS (0.2MM SLOT)

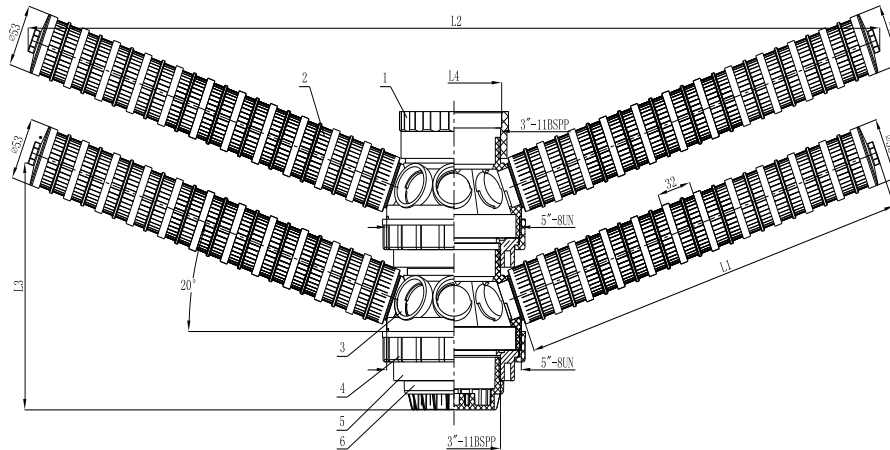
ENGLISH FLANGE ADAPTER 6"-3"NPT-3"NPT OR 6"-4"UN-3"NPT

ASSEMBLY PART NUMBER	TANK DIAMETER (INCHES)	Φ53 LATERAL PART NUMBER
10926-08	21"	10934
10926-09	24"	10935
10926-10	30"	10936
10926-11	36"	10937
10926-12	42"	10938
10926-13	48"	10939
10926-14	63"	10940



TOP MOUNT 16 LATERAL (Φ53MM) DISTRIBUTOR HIGH FLOW (42" ~ 63" TANKS) QUICK CONNECTION

SLOT: 0.2mm



REMARK: 1PSI=0.007MPa, 1GPM=227L/H

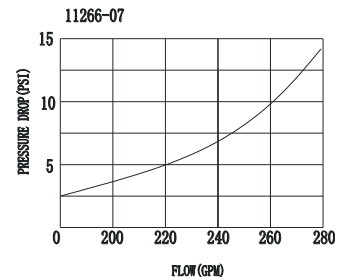
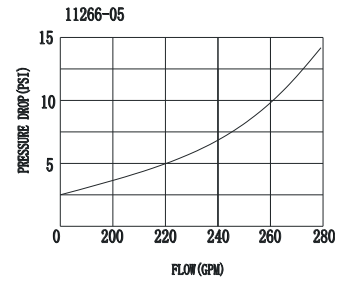
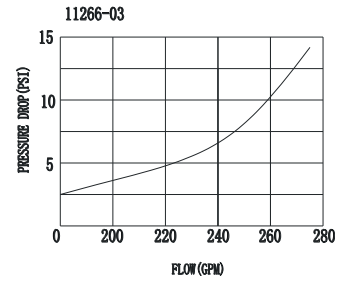


CHART 1- COMPONENTS

ITEM	PART NUMBER	DESCRIPTION	QTY
1	11069 AND	3"PIPE (3.5"O.D.) ABS BLACK AND PVC	1
	11069-1	GREY(SOCKET FIT)	
2	SEE CHART 2	Φ53 LATERAL ASSEMBLY	16
3	50194	HUB	2
4	50197	TOP ADAPTER	2
5	50198	BOTTOM ADAPTER	2
6	50236	BOTTOM CAP	1

CHART 2 –Φ53MM LATERAL PART NUMBERS

SOLT SIZE	PART NUMBER	L1(MM)	L2(MM)	L3(MM)	TANK DIAMETER (INCHES/MM)
0.2MM	10938	431	939	236	42"(1089MM)
0.2MM	10939	559	1180	280	48"(1233MM)
0.2MM	10940	687	1420	324	63"(1625MM)

CHART 3 – COMPLETE ASSEMBLY PART NUMBERS (0.2MM SLOT)

ENGLISH CONNECTION 3" PIPE (3.5" O.D.)

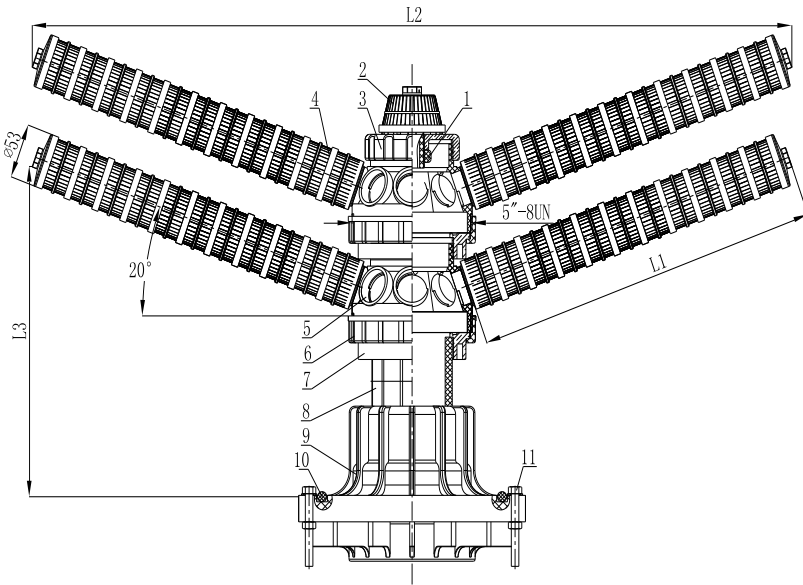
ASSEMBLY PART NUMBER	TANK DIAMETER(INCHES)	Φ53 LATERAL PART NUMBER
11266-03	42"	10938
11266-05	48"	10939
11266-07	63"	10940

RECOMMEND 6" FLANGE CLOSURE KITS 10584, 10585, 10916, OR 10917 ON 42"-48"-63" TANKS.



BOTTOM MOUNT 16 LATERAL (Φ53MM) DISTRIBUTOR (42" ~ 63" TANKS) QUICK CONNECTION

SLOT: 0.2mm



REMARK: 1PSI=0.007MPa, 1GPM=227L/H

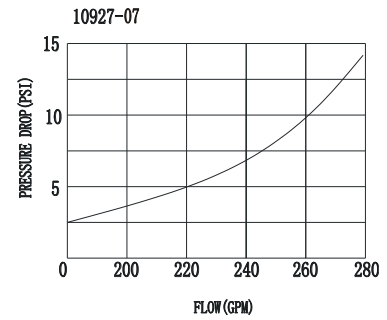
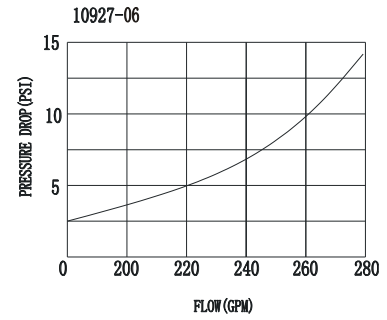
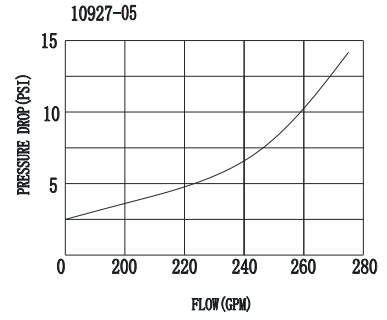


CHART 1- COMPONENTS

ITEM	PART NUMBER	DESCRIPTION	QTY
1	50195	NUT	1
2	10925	FILTER NOZZLE	1
3	50193	CAP	1
4	SEE CHART2	Φ53 LATERAL ASSY	16
5	50194	HUB	2
6	50197	TOP ADAPTER	2
7	50198	BOTTOM ADAPTER	2
8	50255	ENGLISH TUBE	1
9	FLANGE KIT SOLD	FLANGE	0
10	SEPARATELY ,SEE	O RING	0
11	PAGE 39.40.	BOLT KIT	0

CHART 2 –Φ53MM LATERAL PART NUMBERS

SOLT SIZE	PART NUMBER	L1(MM)	L2(MM)	L3(MM)	TANK DIAMETER (INCHES/MM)
0.2MM	10938	431	939	236	42"(1089MM)
0.2MM	10939	559	1180	280	48"(1233MM)
0.2MM	10940	687	1420	324	63"(1625MM)

CHART 3 – COMPLETE ASSEMBLY PART NUMBERS (0.2MM SLOT)

ENGLISH FLANGE ADAPTER 6"-3"NPT-3"NPT OR 6"-4"UN-3"NPT

ASSEMBLY PART NUMBER	TANK DIAMETER(INCHES)	Φ53 LATERAL PART NUMBER
10927-05	42"	10938
10927-06	48"	10939
10927-07	63"	10940



**TOP MOUNT 2.5" DIFFUSER DISTRIBUTOR
(12" ~ 36" TANKS)
WAVE CYBER VALVE ONLY
SLOT: 0.2mm - Black Color**

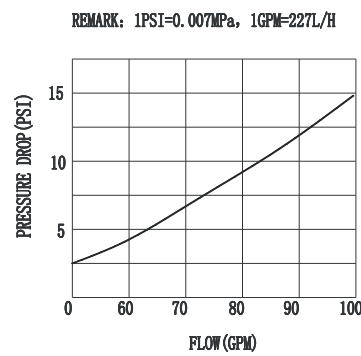
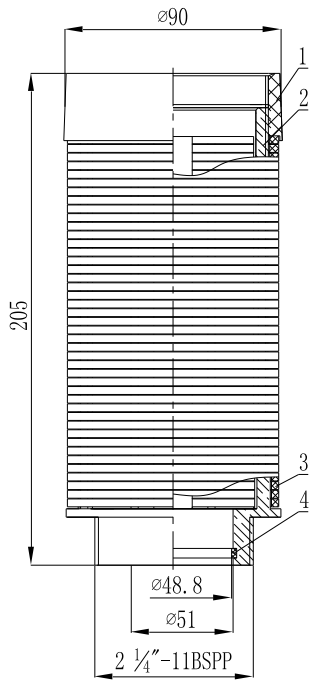


CHART 1- COMPONENTS

ITEM	PART NUMBER	DESCRIPTION	QTY	TANK DIAMETER (INCHES/MM)
1	50184	BASE	1	12"~36"(310~931MM)
2	50181	SHELF	1	
3	50182	0.2MM SLICE	45	
4	50185	ADAPTER RING	1	1.5"PIPE (1.901" O.D.) ONLY 30%GF PP BLACK

CHART 2- COMPLETE ASSEMBLY PART NUMBER (0.2MM SLOT)

PART NUMBER	TANK DIAMETER(INCHES)
10933	12"~36"-E

TOP/BOTTOM MOUNT 2.5" DIFFUSER DISTRIBUTOR (12" ~ 36" TANKS)

SLOT: 0.2mm - Black Color

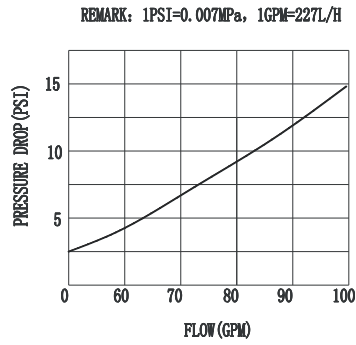
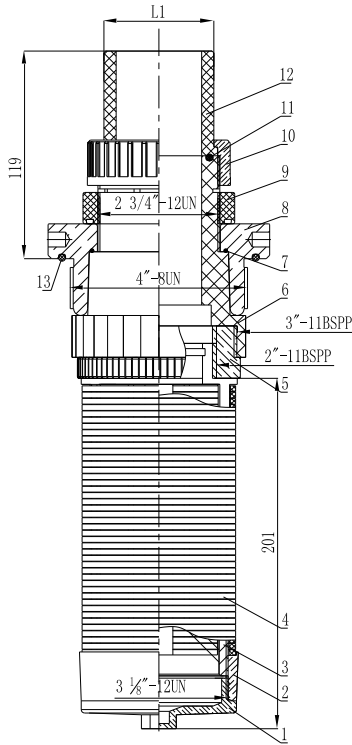


CHART 1- COMPONENTS

ITEM	PART NUMBER	DESCRIPTION	QTY
1	50183	CAP	1
2	50184	BASE	1
3	50181	SHELF	1
4	50182	0.2MM SLICE	45
5	10728	ADAPTER	1
6	50178	TUBE	1
7	10833	O RING	1
8	11017	4" ADAPTER	1
9	50179	NUT	1
10	10715	UNION	1
11	10834	O RING	1
12	10716	2" PIPE (2.374"O.D.) PVC GREY	1
13	10229	O RING	1

CHART 2- COMPLETE ASSEMBLY PART NUMBERS (0.2MM SLOT)

ENGLISH CONNECTION 2" PIPE (2.374" O.D.)

ASSEMBLY PART NUMBER	TANK DIAMETER(INCHES)
10932	12"~36"



TOP MOUNT 3" DIFFUSER DISTRIBUTOR HIGH FLOW (42" ~ 63" TANKS) SLOT: 0.2mm - Black Color

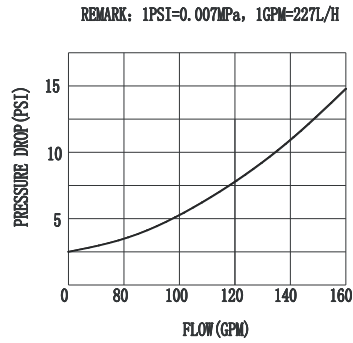
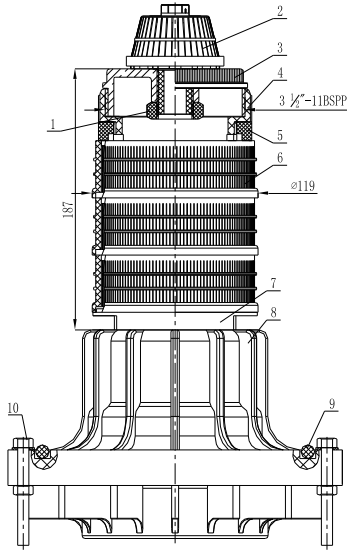


CHART 1- COMPONENTS

ITEM	PART NUMBER	DESCRIPTION	QTY
1	50195	NUT	1
2	10925	FILTER NOZZLE	1
3	50188	DIFFUSER CAP	1
4	10729	ADAPTER	1
5	50189	ADAPTER RING	1
6	50187	0.2MM BASKET	3
7	50257	ENGLISH BASE	1
8	FLANGE KIT SOLD SEPARATELY ,SEE PAGE	FLANGE	0
9		O RING	0
10		BOLT KIT	0
	39.40		

CHART 2 – COMPLETE ASSEMBLY PART NUMBERS (0.2MM SLOT)

ENGLISH FLANGE ADAPTER 6"-3"NPT-3"NPT OR 6"-4"UN-3"NPT

ASSEMBLY PART NUMBER	TANK DIAMETER(INCHES)
10928-01	42"~63"

**TOP MOUNT 3" DIFFUSER DISTRIBUTOR
HIGH FLOW (42" ~ 63" TANKS)
SLOT: 0.2mm - Black Color**

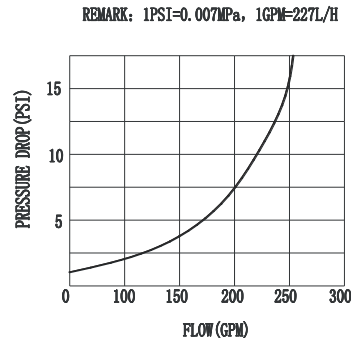
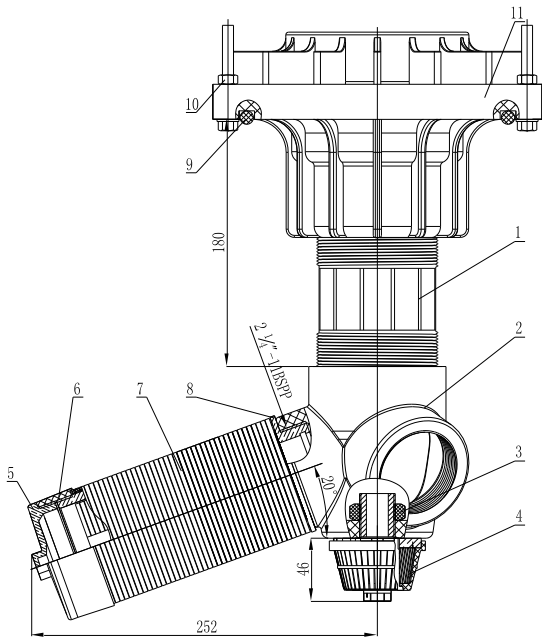


CHART 1- COMPONENTS

ITEM	PART NUMBER	DESCRIPTION	QTY
1	50256	ENGLISH TUBE	1
2	50199	HUB	1
3	50195	NUT	1
4	10925	FILTER NOZZLE	1
5	50183	CAP	3
6	50184	BASE	3
7	50182	0.2MM SLICE	135
8	50181	SHELF	3
9	FLANGE KIT SOLD	O RING	0
10	SEPARATELY ,SEE PAGE	BOLT KIT	0
11	39.40	FLANGE	0

CHART 2 – COMPLETE ASSEMBLY PART NUMBERS (0.2MM SLOT)

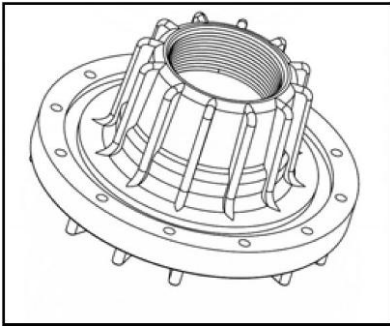
ENGLISH FLANGE ADAPTER 6"-3"NPT-3"NPT OR 6"-4"UN-3"NPT

ASSEMBLY PART NUMBER	TANK DIAMETER(INCHES)
10929-01	42"~63"





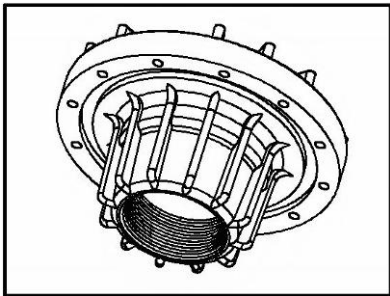
6" Flange Reducer Adapters Kits



DESCRIPTION	PART NUMBER
6" FLG×3"NPT×3"NPT(10222-1) c/w o-ring seal (P/N 10228) and English bolt kit (P/N 20151)	10322
6" FLG×3"BSPP×3"BSPP(10222-2) c/w o-ring seal (P/N 10228) and English bolt kit (P/N 20151)	10323
6" FLG×3"NPT×3"BSPP(10222-3) c/w o-ring seal (P/N 10228) and English bolt kit (P/N 20151)	11299
6"FLG×4"UN×3"NPT(10223-1) c/w o-ring seals (P/N 10228),(P/N 10177) and English bolt kit (P/N 20151)	10324
6"FLG×4"UN×3"BSPP(10223-2) c/w o-ring seals (P/N 10228),(P/N 10177) and English bolt kit (P/N 20151)	10325
6" FLG×3"NPT×3"NPT(10222-1) c/w o-ring seal (P/N 10228) and Metric bolt kit (P/N 20150)	10336
6" FLG×3"BSPP×3"BSPP(10222-2) c/w o-ring seal (P/N 10228) and Metric bolt kit (P/N 20150)	10337
6" FLG×3"NPT×3"BSPP(10222-3) c/w o-ring seal (P/N 10228) and Metric bolt kit (P/N 20150)	11298
6"FLG×4"UN×3"NPT(10223-1) c/w o-ring seals (P/N 10228),(P/N 10177) and Metric bolt kit (P/N 20150)	10338
6"FLG×4"UN×3"BSPP(10223-2) c/w o-ring seals (P/N 10228),(P/N 10177) and Metric bolt kit (P/N 20150)	10339



6" Flange Reducer Closure Kits



DESCRIPTION	PART NUMBER
6" FLG×4"UN×3"NPT(10340) c/w o-ring seal (P/N 10228) and English bolt kit (P/N 20151)	10584
6" FLG×4"UN×3"NPT(10340) c/w o-ring seal (P/N 10228) and Metric bolt kit (P/N 20150)	10585
6" FLG×4"UN×3"BSPP(10915) c/w o-ring seal (P/N 10228) and English bolt kit (P/N 20151)	10916
6" FLG×4"UN×3"BSPP(10915) c/w o-ring seal (P/N 10228) and Metric bolt kit (P/N 20150)	10917

Other Accessories



DESCRIPTION	PART NUMBER
6" FLG English bolt kit,SS304 c/w 12 sets 5/16"-18 UNC*2-3/4" screws, nuts and washers	20151
6" FLG Metric bolt kit,SS304 c/w 12 sets GB5782-86-M8*70 mm screws, nuts and washers	20150
6" FLG adapter O-ring seal,180.4mm×φ9.8mm	10228
4" adapter O-ring face seal,107mm×φ4mm	10229
4" adapter O-ring chamfer seal,92mm×φ5.3mm	10177



Contact us :

Address : No.899, Songying Road,
Qingpu Industries Zone,
Qingpu District, Shanghai China

Post Code : 201703

Tel : 86-21-69758588

Fax : 86-21-69758288

E-mail : info@wave-cyber.com



www.wave-cyber.com

Wave Cyber (Shanghai) Co.,Ltd.

151119WCDEN-1A