



Distributor Catalog 2

Quick Connect 0.2 mm slot

Metric Connection

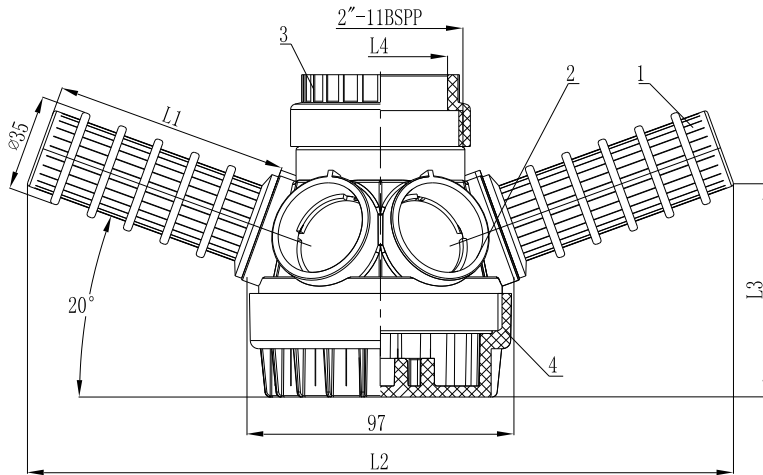
www.wave-cyber.com

Wave Cyber (Shanghai) Co., Ltd.

151119WC DEN-2A

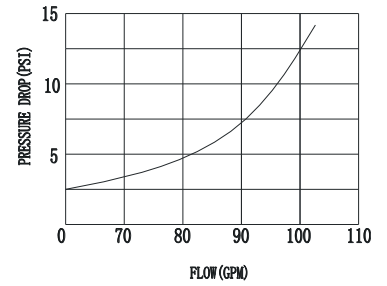
TOP MOUNT 6 LATERAL (Φ35MM) DISTRIBUTOR (12" ~ 21" TANKS) QUICK CONNECTION

SLOT: 0.2mm



REMARK: 1PSI=0.007MPa, 1GPM=227L/H

10920-04, 10920-06



10920-08, 10920-10

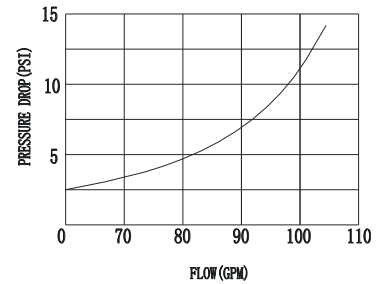


CHART 1- COMPONENTS

ITEM	PART NUMBER	DESCRIPTION	QTY
1	SEE CHART 2	Φ35 LATERAL	6
2	50172	HUB	1
3	50175	50 MM O.D. PIPE ABS BLACK (SOCKET FIT)	1
4	50235	BOTTOM CAP	1
TOOL	50177	SPLINE	1

CHART 2 –Φ35MM LATERAL PART NUMBERS

PART NUMBER	L1(MM)	L2(MM)	L3(MM)	TANK DIAMETER (INCHES/MM)
50168	100	281	82	12"(310MM)
50169	114	307	87	13" AND 14" (336MM~363MM)
50170	142	360	96	16"(413MM)
50171	184	439	110	18" AND 21"(486~555MM)

CHART 3 – COMPLETE ASSEMBLY PART NUMBERS (0.2MM SLOT)

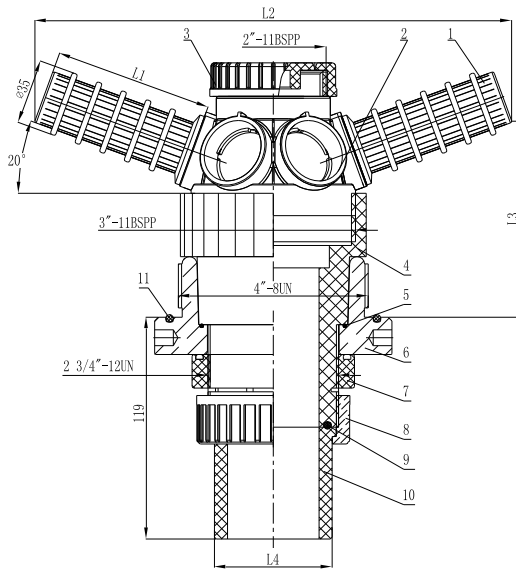
METRIC CONNECTION (50 MM O.D. PIPE)

ASSEMBLY PART NUMBER	TANK DIAMETER (INCHES)	Φ35 LATERAL PART NUMBER	ADAPTER PART NUMBER
10920-04	12"	50168	50175-M
10920-06	13"/14"	50169	50175-M
10920-08	16"	50170	50175-M
10920-10	18"/21"	50171	50175-M



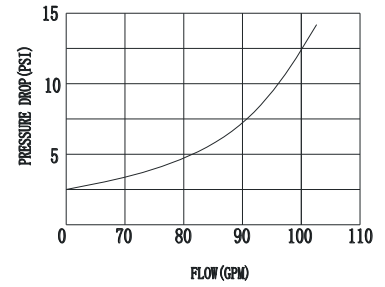
BOTTOM MOUNT 6 LATERAL (Φ35MM) DISTRIBUTOR (12" ~ 21" TANKS) QUICK CONNECTION

SLOT: 0.2mm



REMARK: 1PSI=0.007MPa, 1GPM=227L/H

10921-04, 10921-06



10921-08, 10921-10

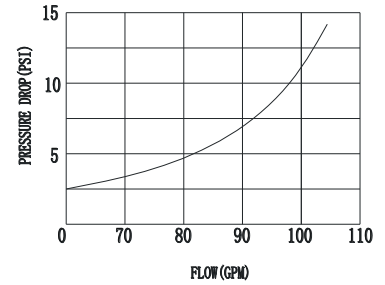


CHART 1- COMPONENTS

ITEM	PART NUMBER	DESCRIPTION	QTY
1	SEE CHART 2	Φ35 LATERAL	6
2	50172	HUB	1
3	50176	TOP CAP	1
4	50178	TUBE	1
5	10833	O RING	1
6	11017	4" ADAPTER	1
7	50179	NUT	1
8	10715	UNION	1
9	10834	O RING	1
10	10717	63MM O.D. PIPE PVC GREY (SOCKET FIT)	1
11	10229	O RING	1
TOOL	50177	SPLINE	1

CHART 2 –Φ35MM LATERAL PART NUMBERS

PART NUMBER	L1(MM)	L2(MM)	L3(MM)	TANK DIAMETER (INCHES/MM)
50168	100	281	82	12"(310MM)
50169	114	307	87	13" AND 14" (336MM~363MM)
50170	142	360	96	16"(413MM)
50171	184	439	110	18" AND 21"(486~555MM)

CHART 3 – COMPLETE ASSEMBLY PART NUMBERS (0.2MM SLOT)

METRIC CONNECTION (63MM O.D. PIPE)

ASSEMBLY PART NUMBER	TANK DIAMETER(INCHES)	Φ35 LATERAL PART NUMBER
10921-04	12"	50168
10921-06	13"/14"	50169
10921-08	16"	50170
10921-10	18"/21"	50171



TOP MOUNT 6 LATERAL (Φ53MM) DISTRIBUTOR (18" ~ 48" TANKS) QUICK CONNECTION

SLOT: 0.2mm

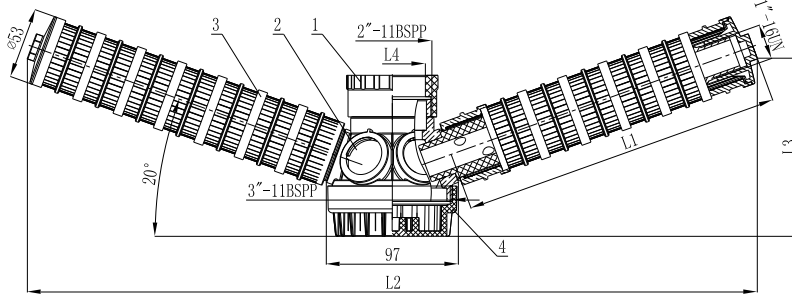


CHART 1- COMPONENTS

ITEM	PART NUMBER	DESCRIPTION	QTY
1	SEE CHART 3	ADAPTER	1
2	50172	HUB	1
3	SEE CHART 2	Φ53 LATERAL ASSEMBLY	6
4	50235	BOTTOM CAP	1
TOOL	50177	SPLINE	1

CHART 2 –Φ53MM LATERAL PART NUMBERS

SLOT SIZE	PART NUMBER	L1(MM)	L2(MM)	L3(MM)	TANK DIAMETER (INCHES/MM)
0.2MM	10924	143	365	103	18"(486MM)
0.2MM	10934	175	425	114	21"(555MM)
0.2MM	10935	239	545	136	24"(624MM)
0.2MM	10936	303	666	158	30"(779MM)
0.2MM	10937	367	786	180	36"(931MM)
0.2MM	10938	431	906	200	42"(1089MM)
0.2MM	10939	559	1147	246	48"(1233MM)

CHART 3 – ADAPTER PART NUMBERS

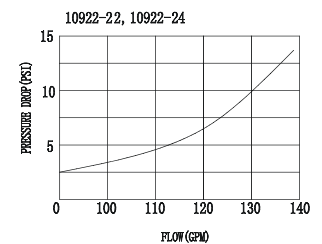
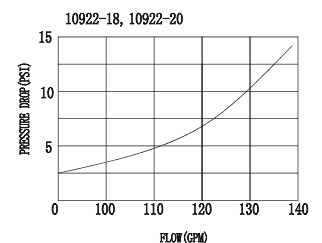
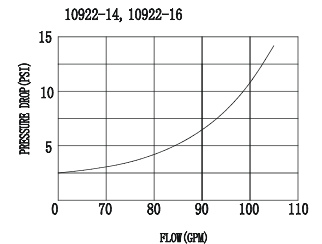
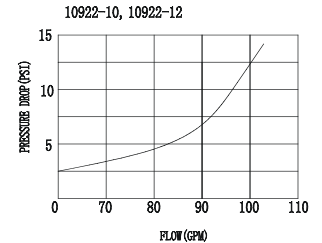
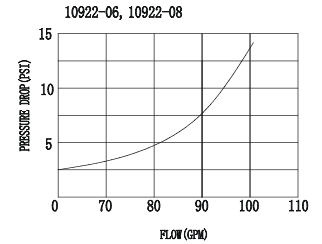
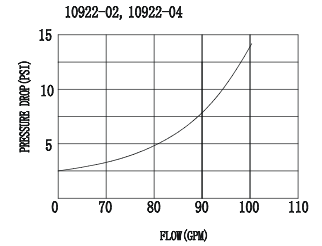
PART NUMBER	CENTRAL PIPE DIAMETER	L4(MM)
50175	50 MM O.D. PIPE ABS BLACK (SOCKET FIT)	50
10727	63 MM O.D. PIPE ABS BLACK (SOCKET FIT)	63

CHART 4 – COMPLETE ASSEMBLY PART NUMBERS (0.2MM SLOT)
METRIC CONNECTION (50MM O.D. PIPE OR 63MM O.D. PIPE)

ASSEMBLY PART NUMBER	TANK DIAMETER (INCHES)	Φ53 LATERAL ASSEMBLY PART NUMBER	ADAPTER PART NUMBER
10922-02	18"	10924	50175-M
10922-04	18"	10924	10727-M
10922-06	21"	10934	50175-M
10922-08	21"	10934	10727-M
10922-10	24"	10935	50175-M
10922-12	24"	10935	10727-M
10922-14	30"	10936	50175-M
10922-16	30"	10936	10727-M
10922-18	36"	10937	50175-M
10922-20	36"	10937	10727-M
10922-22	42"	10938	50175-M
10922-24	48"	10939	10727-M

42" - 48" ARE FOR 2" OR 63MM OD PIPE ONLY

REMARK: 1PSI=0.007MPa, 1GPM=227L/H



BOTTOM MOUNT 6 LATERAL (Φ53MM) DISTRIBUTOR (18" ~ 48" TANKS) QUICK CONNECTION

SLOT: 0.2mm

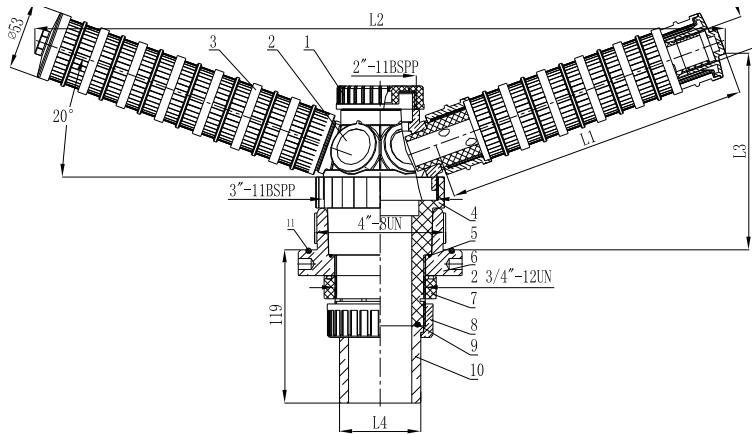


CHART 1- COMPONENTS

ITEM	PART NUMVER	DESCRIPTION	QTY
1	50176	TOP CAP	1
2	50172	HUB	1
3	SEE CHART 2	Φ53 LATERAL ASSEMBLY	6
4	50238	TUBE	1
5	10833	O RING	1
6	11017	4" ADAPTER	1
7	50179	NUT	1
8	10715	UNION	1
9	10834	O RING	1
10	10717	63MM O.D. PIPE PVC GREY (SOCKET FIT)	1
11	10229	O RING	1
TOOL	50177	SPLINE	1

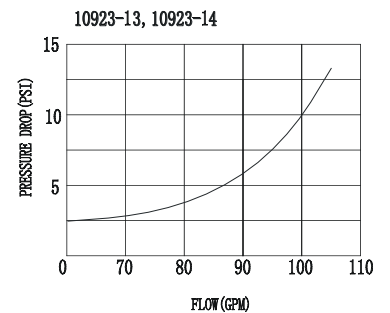
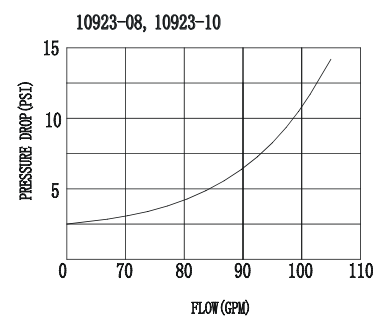
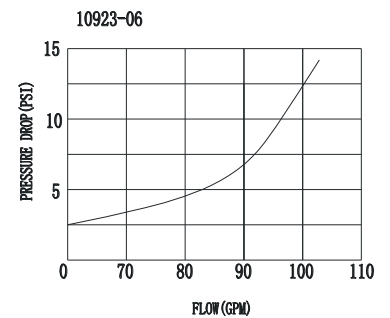
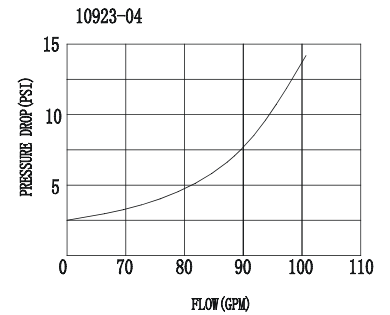
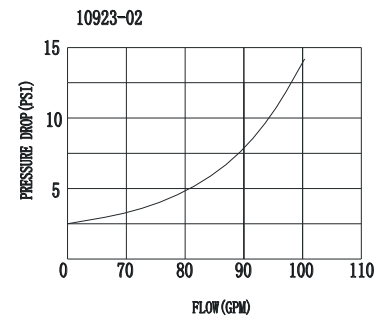
CHART 2 –Φ53MM LATERAL PART NUMBERS

SLOT SIZE	PART NUMBER	L1(MM)	L2(MM)	L3(MM)	TANK DIAMETER (INCHES/MM)
0.2MM	10924	143	365	103	18"(486MM)
0.2MM	10934	175	425	114	21"(555MM)
0.2MM	10935	239	545	136	24"(624MM)
0.2MM	10936	303	666	158	30"(779MM)
0.2MM	10937	367	786	180	36"(931MM)

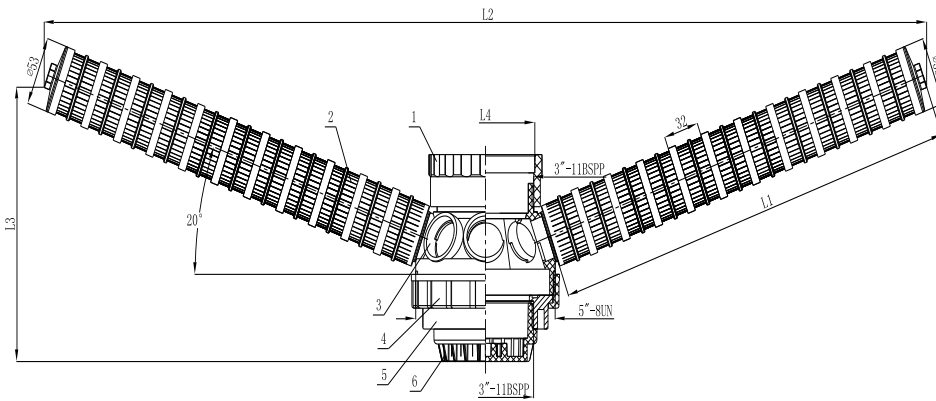
**CHART 3 – COMPLETE ASSEMBLY PART NUMBERS (0.2MM SLOT)
METRIC CONNECTION (63MM O.D. PIPE)**

ASSEMBLY PART NUMBER	TANK DIAMETER(INCHES)	Φ53 LATERAL PART NUMBER
10923-02	18"	10924
10923-04	21"	10934
10923-06	24"	10935
10923-08	30"	10936
10923-10	36"	10937
10923-13	42"	10938
10923-14	48"	10939

REMARK: 1PSI=0.007MPa, 1GPM=227L/H



TOP MOUNT 8 LATERAL (Φ53MM) DISTRIBUTOR (21" ~ 63" TANKS) QUICK CONNECTION SLOT: 0.2mm



REMARK: 1PSI=0.007MPa, 1GPM=227L/H

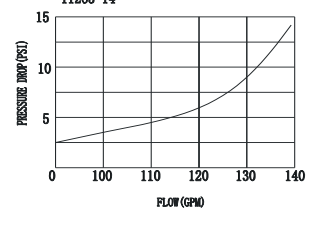
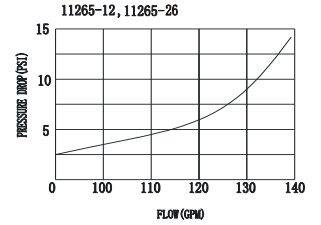
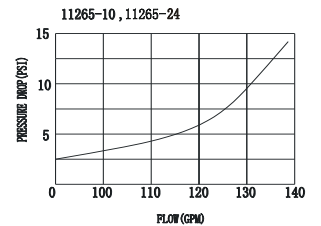
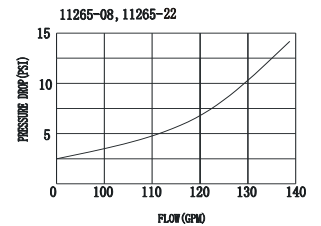
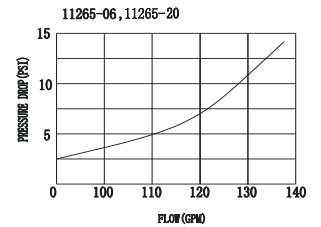
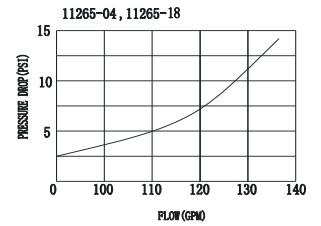
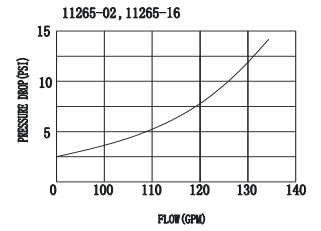


CHART 1- COMPONENTS

ITEM	PART NUMBER	DESCRIPTION	QTY
1	SEE CHART 3	ADAPTER	1
2	SEE CHART 2	Φ53 LATERAL ASSY	8
3	50194	HUB	1
4	50197	TOP ADAPTER	1
5	50198	BOTTOM ADAPTER	1
6	50236	BOTTOM CAP	1

CHART 2 –Φ53MM LATERAL PART NUMBERS

SOLT SIZE	PART NUMBER	L1(MM)	L2(MM)	L3(MM)	TANK DIAMETER (INCHES/MM)
0.2MM	10934	175	458	148	21"(555MM)
0.2MM	10935	239	579	170	24"(624MM)
0.2MM	10936	303	699	192	30"(779MM)
0.2MM	10937	367	819	214	36"(931MM)
0.2MM	10938	431	939	236	42"(1089MM)
0.2MM	10939	559	1180	280	48"(1233MM)
0.2MM	10940	687	1420	324	63"(1625MM)

CHART 3 – ADAPTER PART NUMBERS

PART NUMBER	CENTRAL PIPE DIAMETER	L4(MM)
11070 AND 11070-1	90MM O.D. PIPE ABS BLACK AND PVC GREY (SOCKET FIT)	90
11423	63MM O.D. PIPE ABS BLACK(SOCKET FIT)	63



TOP MOUNT 8 LATERAL (Φ53MM) DISTRIBUTOR (21" ~ 63" TANKS) QUICK CONNECTION SLOT: 0.2mm



CHART 4 – COMPLETE ASSEMBLY PART NUMBERS (0.2MM SLOT)

METRIC CONNECTION (90MM O.D. PIPE)

ASSEMBLY PART NUMBER	TANK DIAMETER (INCHES)	Φ53 LATERAL PART NUMBER	ADAPTER PART NUMBER
11265-02	21"	10934	11070 AND 11070-1
11265-04	24"	10935	11070 AND 11070-1
11265-06	30"	10936	11070 AND 11070-1
11265-08	36"	10937	11070 AND 11070-1
11265-10	42"	10938	11070 AND 11070-1
11265-12	48"	10939	11070 AND 11070-1
11265-14	63"	10940	11070 AND 11070-1

METRIC CONNECTION (63MM O.D. PIPE)

ASSEMBLY PART NUMBER	TANK DIAMETER (INCHES)	Φ53 LATERAL PART NUMBER	ADAPTER PART NUMBER
11265-16	21"	10934	11423
11265-18	24"	10935	11423
11265-20	30"	10936	11423
11265-22	36"	10937	11423
11265-24	42"	10938	11423
11265-26	48"	10939	11423

RECOMMEND 6" FLANGE CLOSURE KITS 10584, 10585, 10916, OR 10917 ON 42"-48"-63" TANKS.



BOTTOM MOUNT 8 LATERAL (Φ53MM) DISTRIBUTOR (21" ~ 63" TANKS) QUICK CONNECTION

SLOT: 0.2mm

REMARK: 1PSI=0.007MPa, 1GPM=227L/H

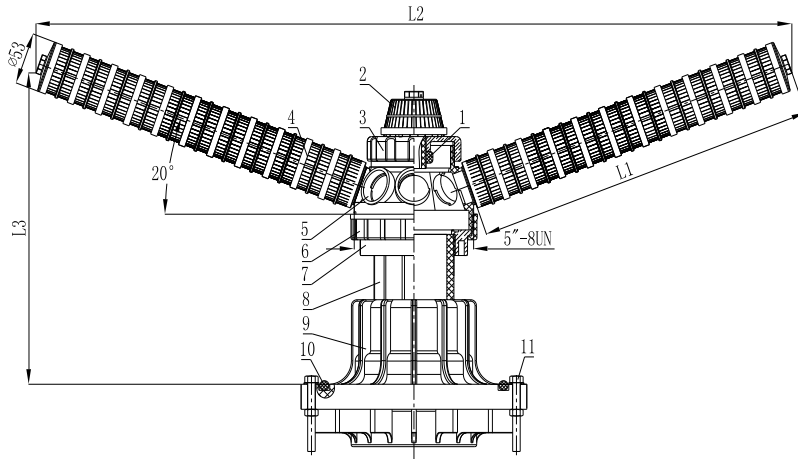


CHART 1- COMPONENTS

ITEM	PART NUMBER	DESCRIPTION	QTY
1	50195	NUT	1
2	10925	FILTER NOZZLE	1
3	50193	CAP	1
4	SEE CHART 2	Φ53 LATERAL ASSEMBLY	8
5	50194	HUB	1
6	50197	TOP ADAPTER	1
7	50198	BOTTOM ADAPTER	1
8	50237	METRIC TUBE	1
9	FLANGE KIT SOLD SEPARATELY , SEE PAGE 39,40.	FLANGE	0
10		O RING	0
11		BOLT KIT	0

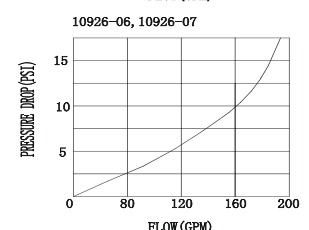
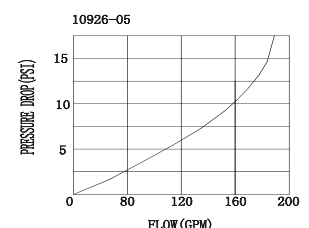
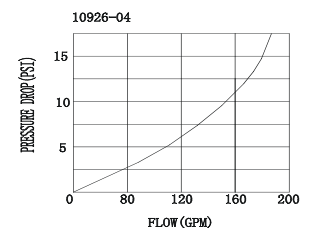
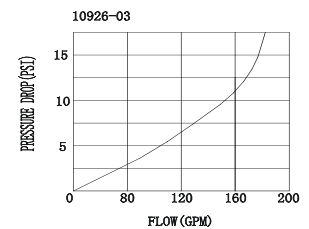
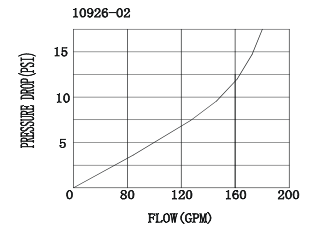
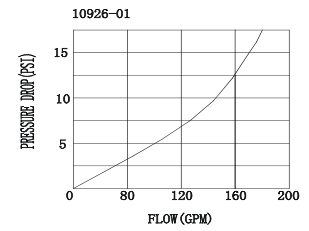
CHART 2 –Φ53MM LATERAL PART NUMBERS

SOLT SIZE	PART NUMBER	L1(MM)	L2(MM)	L3(MM)	TANK DIAMETER (INCHES/MM)
0.2MM	10934	175	458	148	21"(555MM)
0.2MM	10935	239	579	170	24"(624MM)
0.2MM	10936	303	699	192	30"(779MM)
0.2MM	10937	367	819	214	36"(931MM)
0.2MM	10938	431	939	236	42"(1089MM)
0.2MM	10939	559	1180	280	48"(1233MM)
0.2MM	10940	687	1420	324	63"(1625MM)

CHART 3 – COMPLETE ASSEMBLY PART NUMBERS (0.2MM SLOT)

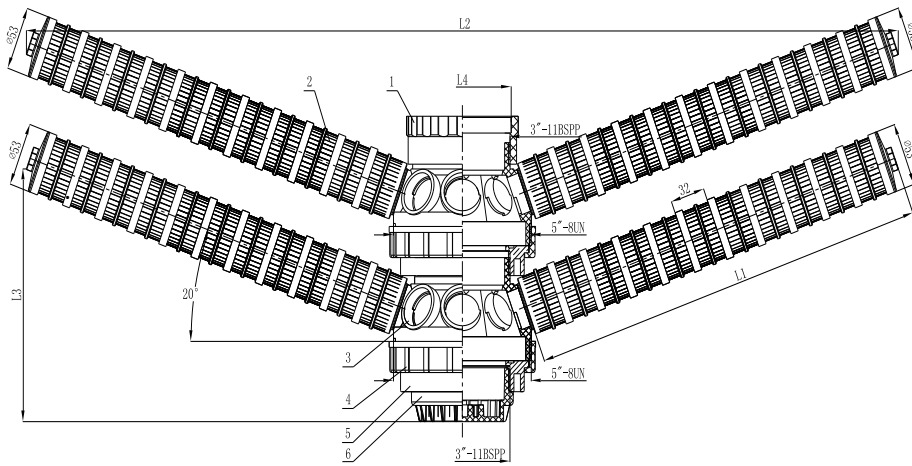
METRIC FLANGE ADAPTER 6"-3"BSPP-3"BSPP OR 6"-3"NPT-3"BSPP OR 6"-4"UN-3"BSPP

ASSEMBLY PART NUMBER	TANK DIAMETER(INCHES)	Φ53 LATERAL PART NUMBER
10926-01	21"	10934
10926-02	24"	10935
10926-03	30"	10936
10926-04	36"	10937
10926-05	42"	10938
10926-06	48"	10939
10926-07	63"	10940



TOP MOUNT 16 LATERAL (Φ53MM) DISTRIBUTOR HIGH FLOW (42" ~ 63" TANKS) QUICK CONNECTION

SLOT: 0.2mm



REMARK: 1PSI=0.007MPa, 1GPM=227L/H

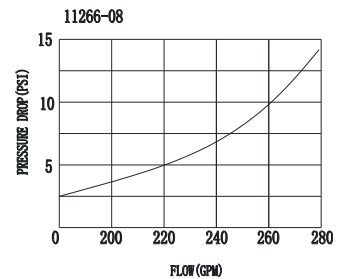
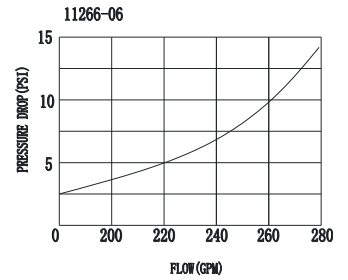
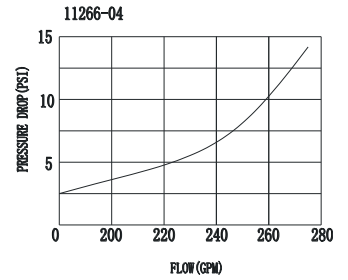


CHART 1- COMPONENTS

ITEM	PART NUMBER	DESCRIPTION	QTY
1	11070 AND 11070-1	90MM O.D. PIPE ABS BLACK AND PVC GREY (SOCKET FIT)	1
2	SEE CHART 2	Φ53 LATERAL ASSEMBLY	16
3	50194	HUB	2
4	50197	TOP ADAPTER	2
5	50198	BOTTOM ADAPTER	2
6	50236	BOTTOM CAP	1

CHART 2 –Φ53MM LATERAL PART NUMBERS

SOLT SIZE	PART NUMBER	L1(MM)	L2(MM)	L3(MM)	TANK DIAMETER (INCHES/MM)
0.2MM	10938	431	939	236	42"(1089MM)
0.2MM	10939	559	1180	280	48"(1233MM)
0.2MM	10940	687	1420	324	63"(1625MM)

CHART 3 – COMPLETE ASSEMBLY PART NUMBERS (0.2MM SLOT)

METRIC CONNECTION (90MM O.D. PIPE)

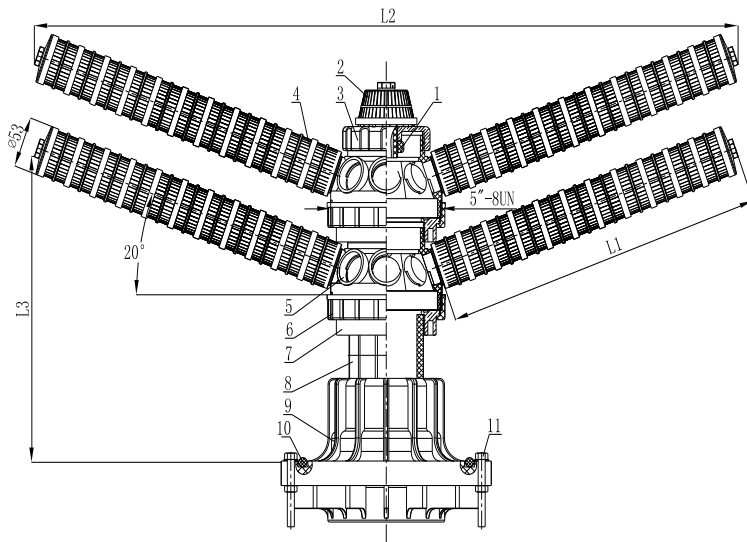
ASSEMBLY	TANK DIAMETER	Φ53 LATERAL PART NUMBER
11266-04	42"	10938
11266-06	48"	10939
11266-08	63"	10940

RECOMMEND 6" FLANGE CLOSURE KITS 10584, 10585, 10916, OR 10917 ON 42"-48"-63" TANKS.



BOTTOM MOUNT 16 LATERAL (Φ53MM) DISTRIBUTOR (42" ~ 63" TANKS) QUICK CONNECTION

SLOT: 0.2mm



REMARK: 1PSI=0.007MPa, 1GPM=227L/H

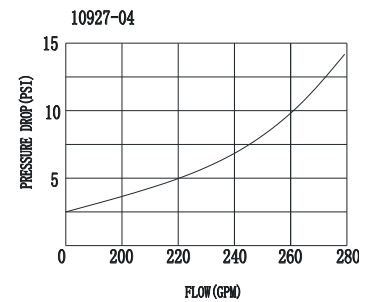
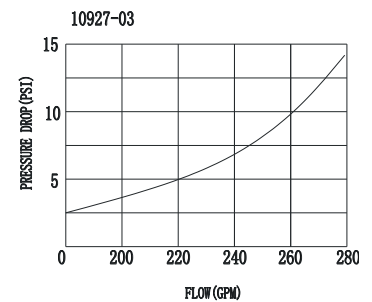
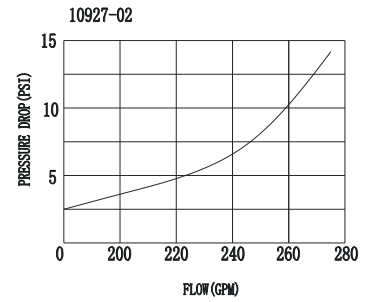


CHART 1- COMPONENTS

ITEM	PART NUMBER	DESCRIPTION	QTY
1	50195	NUT	1
2	10925	FILTER NOZZLE	1
3	50193	CAP	1
4	SEE CHART2	Φ53 LATERAL ASSY	16
5	50194	HUB	2
6	50197	TOP ADAPTER	2
7	50198	BOTTOM ADAPTER	2
8	50237	METRIC TUBE	1
9	FLANGE KIT SOLD SEPARATELY ,SEE PAGE	FLANGE	0
10		O RING	0
11		BOLT KIT	0
	39.40.		

CHART 2 –Φ53MM LATERAL PART NUMBERS

SOLT	PART NUMBER	L1(MM)	L2(MM)	L3(MM)	TANK DIAMETER
0.2MM	10938	431	939	236	42"(1089MM)
0.2MM	10939	559	1180	280	48"(1233MM)
0.2MM	10940	687	1420	324	63"(1625MM)

CHART 3 – COMPLETE ASSEMBLY PART NUMBERS (0.2MM SLOT)

METRIC FLANGE ADAPTER 6"-3"BSPP-3"BSPP OR 6"-3"NPT-3"BSPP OR 6"-4"UN-3"BSPP

ASSEMBLY PART NUMBER	TANK DIAMETER(INCHES)	Φ53 LATERAL PART NUMBER
10927-02	42"	10938
10927-03	48"	10939
10927-04	63"	10940



**TOP MOUNT 2.5" DIFFUSER DISTRIBUTOR
(12" ~ 36" TANKS)
WAVE CYBER VALVE ONLY
SLOT: 0.2mm - Black Color**

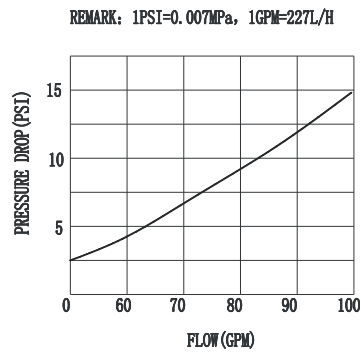
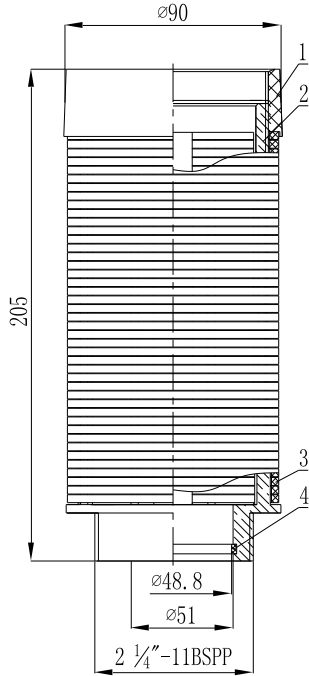


CHART 1- COMPONENTS

ITEM	PART NUMBER	DESCRIPTION	QTY	TANK DIAMETER (INCHES/MM)
1	50184	BASE	1	12"~36"(310~931MM)
2	50181	SHELF	1	
3	50182	0.2MM SLICE	45	

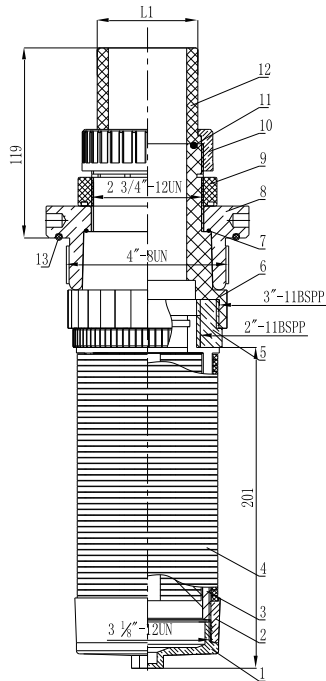
CHART 2- COMPLETE ASSEMBLY PART NUMBER (0.2MM SLOT)

METRIC CONNECTION (50MM O.D. RISER PIPE)

PART NUMBER	TANK DIAMETER(INCHES)
11251	12"~36"-M

TOP/BOTTOM MOUNT 2.5" DIFFUSER DISTRIBUTOR (12" ~ 36" TANKS)

SLOT: 0.2mm - Black Color



REMARK: 1PSI=0.007MPa, 1GPM=227L/H

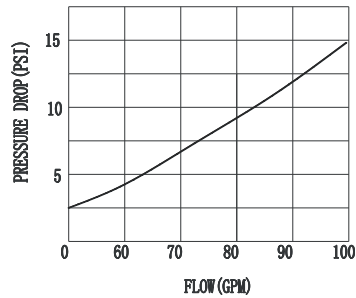


CHART 1- COMPONENTS

ITEM	PART NUMBER	DESCRIPTION	QTY
1	50183	CAP	1
2	50184	BASE	1
3	50181	SHELF	1
4	50182	0.2MM SLICE	45
5	10728	ADAPTER	1
6	50178	TUBE	1
7	10833	O RING	1
8	11017	4" ADAPTER	1
9	50179	NUT	1
10	10715	UNION	1
11	10834	O RING	1
12	10717	63MM O.D. PIPE PVC GREY (SOCKET FIT)	1
13	10229	O RING	1

CHART 2- COMPLETE ASSEMBLY PART NUMBERS (0.2MM SLOT)

METRIC CONNECTION (63MM O.D. PIPE)

ASSEMBLY PART NUMBER	TANK DIAMETER(INCHES)
11250	12"~36"



TOP MOUNT 3" DIFFUSER DISTRIBUTOR HIGH FLOW (42" ~ 63" TANKS) SLOT: 0.2mm - Black Color

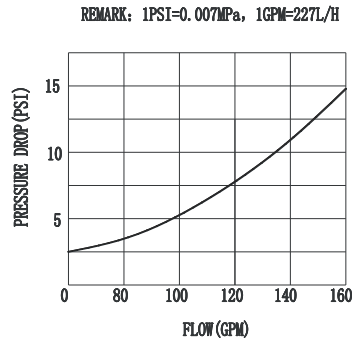
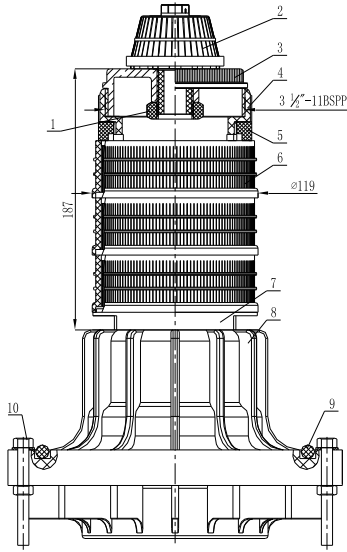


CHART 1- COMPONENTS

ITEM	PART NUMBER	DESCRIPTION	QTY
1	50195	NUT	1
2	10925	FILTER NOZZLE	1
3	50188	DIFFUSER CAP	1
4	10729	ADAPTER	1
5	50189	ADAPTER RING	1
6	50187	0.2MM BASKET	3
7	50186	METRIC BASE	1
8	FLANGE KIT SOLD SEPARATELY ,SEE PAGE	FLANGE	0
9		O RING	0
10		BOLT KIT	0
	39.40		

CHART 2 – COMPLETE ASSEMBLY PART NUMBERS (0.2MM SLOT)

METRIC FLANGE ADAPTER 6"-3"BSPP-3"BSPP OR 6"-3"NPT-3"BSPP OR 6"-4"UN-3"BSPP

ASSEMBLY PART NUMBER	TANK DIAMETER(INCHES)
10928	42"~63"



TOP MOUNT 3" DIFFUSER DISTRIBUTOR HIGH FLOW (42" ~ 63" TANKS) SLOT: 0.2mm - Black Color

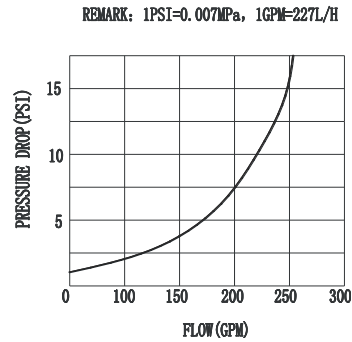
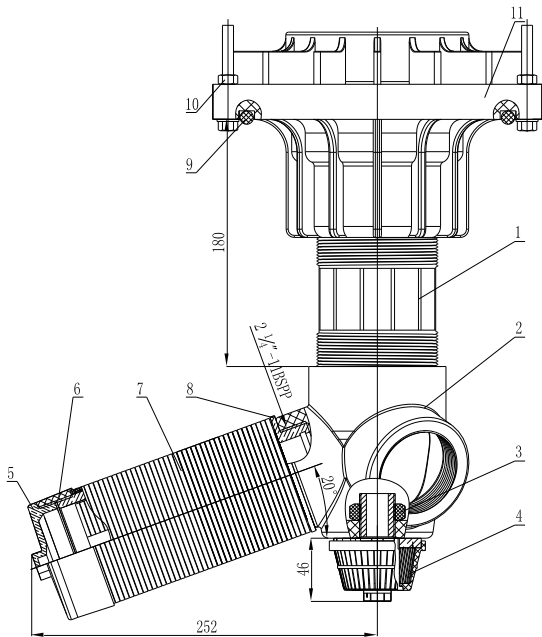


CHART 1- COMPONENTS

ITEM	PART NUMBER	DESCRIPTION	QTY
1	50196	METRIC TUBE	1
2	50199	HUB	1
3	50195	NUT	1
4	10925	FILTER NOZZLE	1
5	50183	CAP	3
6	50184	BASE	3
7	50182	0.2MM SLICE	135
8	50181	SHELF	3
9	FLANGE KIT SOLD	O RING	0
10	SEPARATELY ,SEE PAGE	BOLT KIT	0
11	39.40	FLANGE	0

CHART 2 – COMPLETE ASSEMBLY PART NUMBERS (0.2MM SLOT)

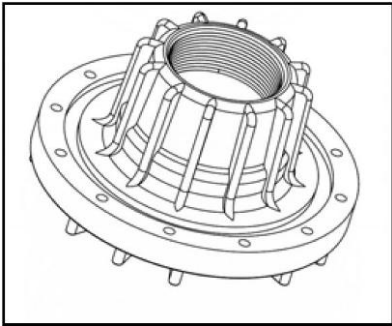
METRIC FLANGE ADAPTER 6"-3"BSPP-3"BSPP OR 6"-3"NPT-3"BSPP OR 6"-4"UN-3"BSPP

ASSEMBLY PART NUMBER	TANK DIAMETER(INCHES)
10929	42"~63"





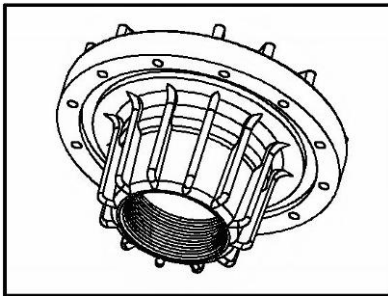
6" Flange Reducer Adapters Kits



DESCRIPTION	PART NUMBER
6" FLG×3"NPT×3"NPT(10222-1) c/w o-ring seal (P/N 10228) and METRIC bolt kit (P/N 20151)	10322
6" FLG×3"BSPP×3"BSPP(10222-2) c/w o-ring seal (P/N 10228) and METRIC bolt kit (P/N 20151)	10323
6" FLG×3"NPT×3"BSPP(10222-3) c/w o-ring seal (P/N 10228) and METRIC bolt kit (P/N 20151)	11299
6"FLG×4"UN×3"NPT(10223-1) c/w o-ring seals (P/N 10228),(P/N 10177) and METRIC bolt kit (P/N 20151)	10324
6"FLG×4"UN×3"BSPP(10223-2) c/w o-ring seals (P/N 10228),(P/N 10177) and METRIC bolt kit (P/N 20151)	10325
6" FLG×3"NPT×3"NPT(10222-1) c/w o-ring seal (P/N 10228) and Metric bolt kit (P/N 20150)	10336
6" FLG×3"BSPP×3"BSPP(10222-2) c/w o-ring seal (P/N 10228) and Metric bolt kit (P/N 20150)	10337
6" FLG×3"NPT×3"BSPP(10222-3) c/w o-ring seal (P/N 10228) and Metric bolt kit (P/N 20150)	11298
6"FLG×4"UN×3"NPT(10223-1) c/w o-ring seals (P/N 10228),(P/N 10177) and Metric bolt kit (P/N 20150)	10338
6"FLG×4"UN×3"BSPP(10223-2) c/w o-ring seals (P/N 10228),(P/N 10177) and Metric bolt kit (P/N 20150)	10339

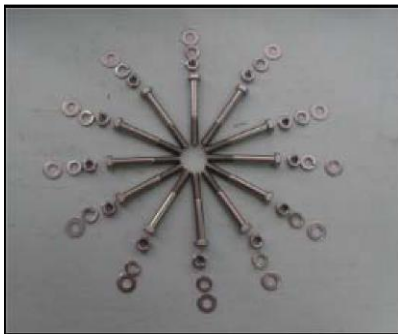


6" Flange Reducer Closure Kits



DESCRIPTION	PART NUMBER
6" FLG×4"UN×3"NPT(10340) c/w o-ring seal (P/N 10228) and METRIC bolt kit (P/N 20151)	10584
6" FLG×4"UN×3"NPT(10340) c/w o-ring seal (P/N 10228) and Metric bolt kit (P/N 20150)	10585
6" FLG×4"UN×3"BSPP(10915) c/w o-ring seal (P/N 10228) and METRIC bolt kit (P/N 20151)	10916
6" FLG×4"UN×3"BSPP(10915) c/w o-ring seal (P/N 10228) and Metric bolt kit (P/N 20150)	10917

Other Accessories



DESCRIPTION	PART NUMBER
6" FLG METRIC bolt kit,SS304 c/w 12 sets 5/16"-18 UNC*2-3/4" screws, nuts and washers	20151
6" FLG Metric bolt kit,SS304 c/w 12 sets GB5782-86-M8*70 mm screws, nuts and washers	20150
6" FLG adapter O-ring seal,180.4mm×φ9.8mm	10228
4" adapter O-ring face seal,107mm×φ4mm	10229
4" adapter O-ring chamfer seal,92mm×φ5.3mm	10177



Contact us :

Address : No.899, Songying Road,
Qingpu Industries Zone,
Qingpu District, Shanghai China

Post Code : 201703

Tel : 86-21-69758588

Fax : 86-21-69758288

E-mail : info@wave-cyber.com



www.wave-cyber.com

Wave Cyber (Shanghai) Co.,

151119WCDEN-2A