



Distributor Catalog 3

Threaded Connect 0.2 mm slot

English Connection

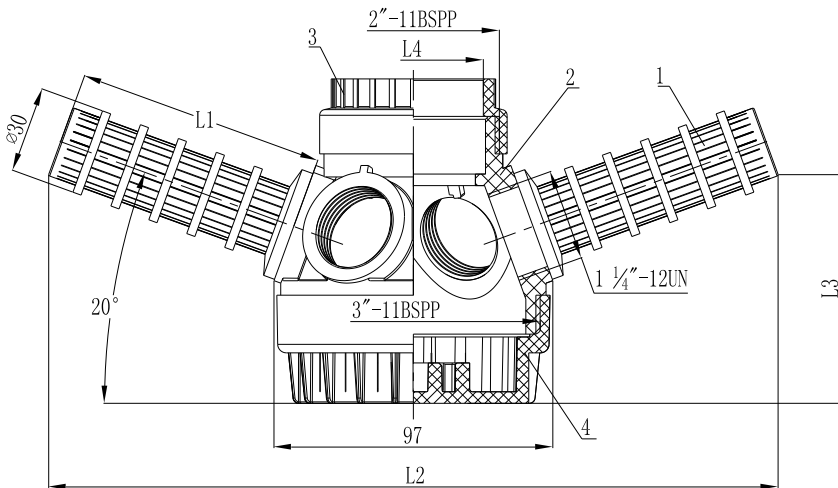
www.wave-cyber.com

Wave Cyber (Shanghai) Co., Ltd.

151119WCDEEN-3A

TOP MOUNT 6 LATERAL (Φ30MM) DISTRIBUTOR (12" ~ 21" TANKS) THREAD CONNECTION

SLOT: 0.2mm - Black Color



REMARK: 1PSI=0.007MPa, 1GPM=227L/H

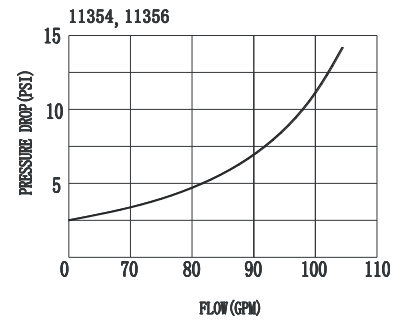
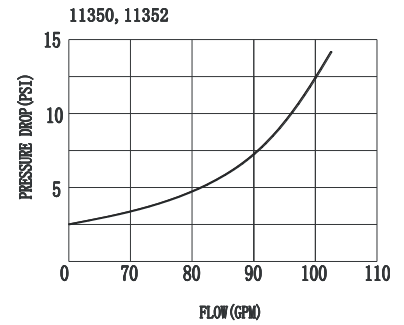


CHART 1- COMPONENTS

| ITEM | PART NUMBER | DESCRIPTION | QTY |
|------|-------------|--|-----|
| 1 | SEE CHART 2 | Φ30 LATERAL-THREAD | 6 |
| 2 | 11058 | HUB-THREAD | 1 |
| 3 | 50174 | 1.5" PIPE (1.901" O.D.) ABS BLACK(SOCKET FIT) | 1 |
| 4 | 50235 | BOTTOM CAP | 1 |
| TOOL | 50177 | SPLINE | 1 |

CHART 2 –Φ30MM LATERAL-THREAD PART NUMBERS

| SOLT | PART NUMBER | L1(MM) | L2(MM) | L3(MM) | TANK DIAMETER (INCHES/MM) |
|-------|-------------|--------|--------|--------|---------------------------|
| 0.2MM | 50211 | 100 | 279 | 84 | 12"(310MM) |
| 0.2MM | 50212 | 114 | 305 | 89 | 13" AND 14"(336~363MM) |
| 0.2MM | 50213 | 142 | 358 | 98 | 16"(413MM) |
| 0.2MM | 50214 | 184 | 437 | 112 | 18" AND 21"(486~555MM) |

CHART 3 – COMPLETE ASSEMBLY PART NUMBERS (0.2MM SLOT)

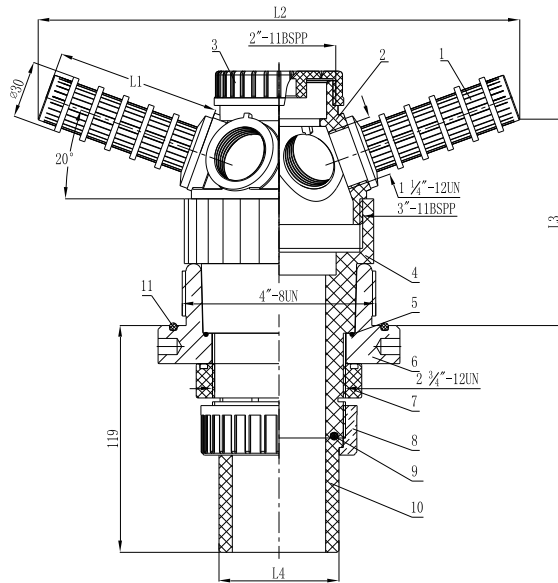
ENGLISH CONNECTION (1.5" PIPE (1.901" O.D.))

| ASSEMBLY PART NUMBER | TANK DIAMETER(INCHES) | Φ30 LATERAL PART NUMBER |
|----------------------|-----------------------|-------------------------|
| 11350 | 12" | 50211 |
| 11352 | 13"/14" | 50212 |
| 11354 | 16" | 50213 |
| 11356 | 18"/21" | 50214 |



BOTTOM MOUNT 6 LATERAL (Φ30MM) DISTRIBUTOR (12" ~ 21" TANKS) THREAD CONNECTION

SLOT: 0.2mm - Black Color



REMARK: 1PSI=0.007MPa, 1GPM=227L/H

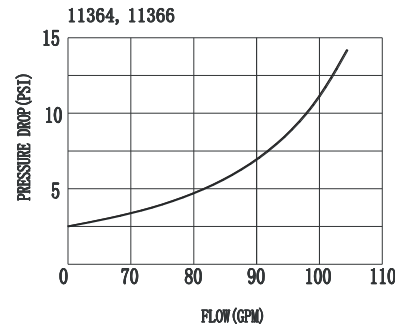
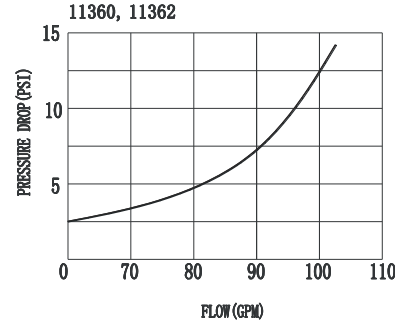


CHART 1- COMPONENTS

| ITEM | PART NUMBER | DESCRIPTION | QTY |
|------|-------------|---|-----|
| 1 | SEE CHART 2 | Φ30 LATERAL-THREAD | 6 |
| 2 | 11058 | HUB-THREAD | 1 |
| 3 | 50176 | TOP CAP | 1 |
| 4 | 50178 | TUBE | 1 |
| 5 | 10833 | O RING | 1 |
| 6 | 11017 | 4" ADAPTER | 1 |
| 7 | 50179 | NUT | 1 |
| 8 | 10715 | UNION | 1 |
| 9 | 10834 | O RING | 1 |
| 10 | 10716 | 2" PIPE (2.374" O.D.) PVC GREY(SOCKET FIT) | 1 |
| 11 | 10229 | O RING | 1 |
| TOOL | 50177 | SPLINE | 1 |

CHART 2 –Φ30MM LATERAL-THREAD PART NUMBERS

| SOLT SIZE | PART NUMBER | L1(MM) | L2(MM) | L3(MM) | TANK DIAMETER (INCHES/MM) |
|-----------|-------------|--------|--------|--------|---------------------------|
| 0.2MM | 50211 | 100 | 279 | 84 | 12"(310MM) |
| 0.2MM | 50212 | 114 | 305 | 89 | 13" AND 14"(336~363MM) |
| 0.2MM | 50213 | 142 | 358 | 98 | 16"(413MM) |
| 0.2MM | 50214 | 184 | 437 | 112 | 18" AND 21"(486~555MM) |

CHART 3 – COMPLETE ASSEMBLY PART NUMBERS (0.2MM SLOT)

ENGLISH CONNECTION (2" PIPE (2.374" O.D.))

| ASSEMBLY PART NUMBER | TANK DIAMETER(INCHES) | Φ30 LATERAL PART NUMBER |
|----------------------|-----------------------|-------------------------|
| 11360 | 12" | 50211 |
| 11362 | 13"/14" | 50212 |
| 11364 | 16" | 50213 |
| 11366 | 18"/21" | 50214 |



TOP MOUNT 6 LATERAL (Φ53MM) DISTRIBUTOR (18" ~ 48" TANKS) THREAD CONNECTION

SLOT: 0.2mm - Black Color

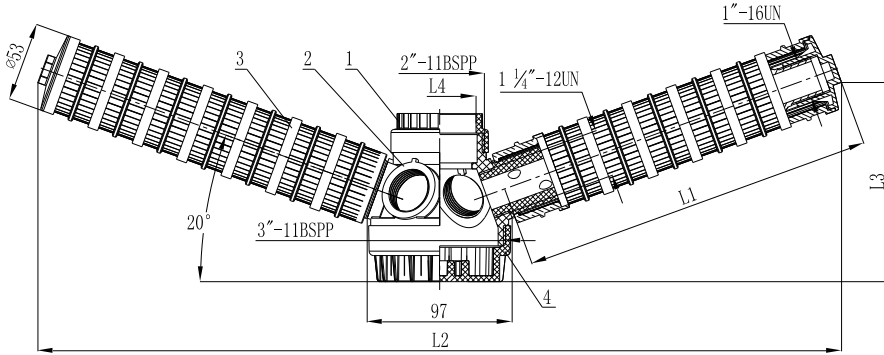


CHART 1- COMPONENTS

| ITEM | PART NUMBER | DESCRIPTION | QTY |
|------|-------------|-----------------------------|-----|
| 1 | SEE CHART 3 | ADAPTER | 1 |
| 2 | 11058 | HUB-THREAD | 1 |
| 3 | SEE CHART 2 | Φ53 LATERAL ASSEMBLY-THREAD | 6 |
| 4 | 50235 | BOTTOM CAP | 1 |
| TOOL | 50177 | SPLINE | 1 |

CHART 2 –Φ53MM LATERAL PART NUMBERS

| SLOT | PART | L1(MM) | L2(MM) | L3(MM) | TANK DIAMETER |
|-------|-------|--------|--------|--------|---------------|
| 0.2MM | 11252 | 143 | 365 | 103 | 18"(486MM) |
| 0.2MM | 11253 | 175 | 425 | 114 | 21"(555MM) |
| 0.2MM | 11254 | 239 | 545 | 136 | 24"(624MM) |
| 0.2MM | 11255 | 303 | 666 | 158 | 30"(779MM) |
| 0.2MM | 11256 | 367 | 786 | 180 | 36"(931MM) |
| 0.2MM | 11257 | 431 | 906 | 200 | 42"(1089MM) |
| 0.2MM | 11258 | 559 | 1147 | 246 | 48"(1233MM) |

CHART 3 – ADAPTER PART NUMBERS

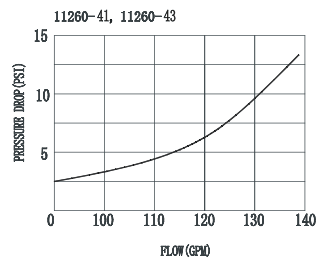
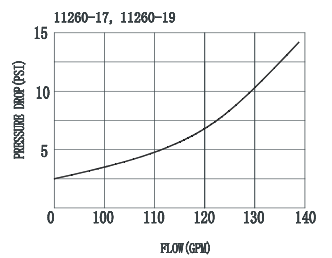
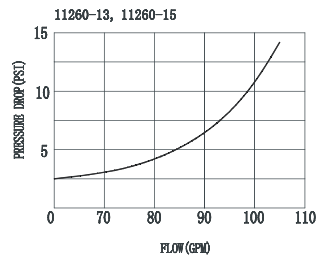
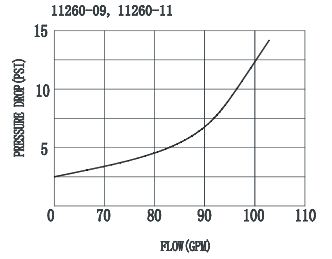
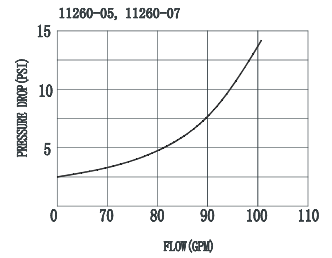
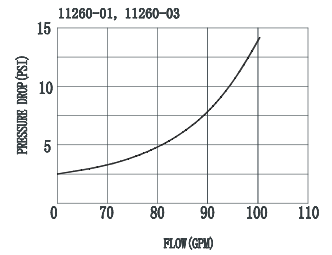
| PART NUMBER | CENTRAL PIPE DIAMETER | L4(MM) |
|-------------|--|--------|
| 50174 | 1.5"PIPE (1.901"O.D.) ABS BLACK (SOCKET FIT) | 48.5 |
| 10726 | 2"PIPE (2.374"O.D.) ABS BLACK (SOCKET FIT) | 60.5 |

**CHART 4 – COMPLETE ASSEMBLY PART NUMBERS (0.2MM SLOT)
ENGLISH CONNECTION (1.5"PIPE (1.901"O.D.) OR 2"PIPE (2.374"O.D.))**

| ASSEMBLY PART NUMBER | TANK DIAMETER(INCHES) | Φ53 LATERAL PART NUMBER | ADAPTER PART NUMBER |
|----------------------|-----------------------|-------------------------|---------------------|
| 11260-01 | 18" | 11252 | 50174 |
| 11260-03 | 18" | 11252 | 10726 |
| 11260-05 | 21" | 11253 | 50174 |
| 11260-07 | 21" | 11253 | 10726 |
| 11260-09 | 24" | 11254 | 50174 |
| 11260-11 | 24" | 11254 | 10726 |
| 11260-13 | 30" | 11255 | 50174 |
| 11260-15 | 30" | 11255 | 10726 |
| 11260-17 | 36" | 11256 | 50174 |
| 11260-19 | 36" | 11256 | 10726 |
| 11260-41 | 42" | 11257 | 10726 |
| 11260-43 | 48" | 11258 | 10726 |

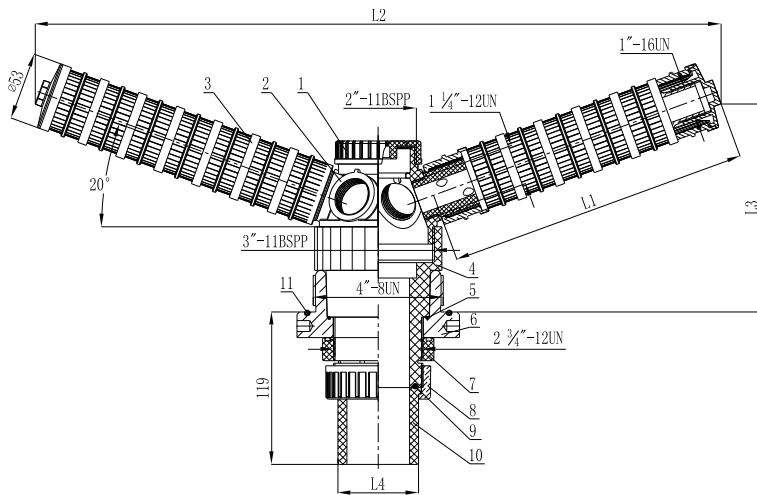
NOTE:42"- 48" ARE FOR 2" PIPE ONLY

REMARK: 1PSI=0.007MPa, 1GPM=227L/H



BOTTOM MOUNT 6 LATERAL (Φ53MM) DISTRIBUTOR (18" ~ 48" TANKS) THREAD CONNECTION

SLOT: 0.2mm - Black Color



REMARK: 1PSI=0.007MPa, 1GPM=227L/H

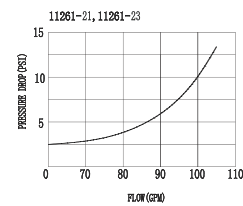
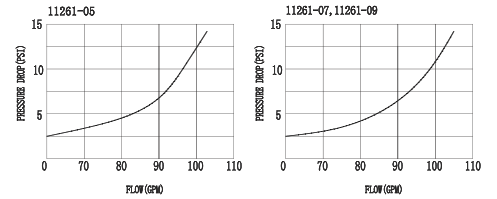
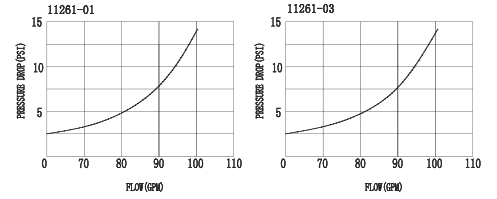


CHART 1- COMPONENTS

| ITEM | PART NUMBER | DESCRIPTION | QTY |
|------|-------------|---|-----|
| 1 | 50176 | TOP CAP | 1 |
| 2 | 11058 | HUB-THREAD | 1 |
| 3 | SEE CHART 2 | Φ53 LATERAL ASSEMBLY-THREAD | 6 |
| 4 | 50238 | TUBE | 1 |
| 5 | 10833 | O RING | 1 |
| 6 | 11017 | 4" ADAPTER | 1 |
| 7 | 50179 | NUT | 1 |
| 8 | 10715 | UNION | 1 |
| 9 | 10834 | O RING | 1 |
| 10 | 10716 | 2" PIPE (2.374" O.D.) PVC GREY(SOCKET FIT) | 1 |
| 11 | 10229 | O RING | 1 |
| TOOL | 50177 | SPLINE | 1 |

CHART 2 –Φ53MM LATERAL THREAD PART NUMBERS

| SLOT SIZE | PART NUMBER | L1(MM) | L2(MM) | L3(MM) | TANK DIAMETER (INCHES/MM) |
|-----------|-------------|--------|--------|--------|---------------------------|
| 0.2MM | 11252 | 143 | 365 | 131 | 18"(486MM) |
| 0.2MM | 11253 | 175 | 425 | 142 | 21"(555MM) |
| 0.2MM | 11254 | 239 | 545 | 164 | 24"(624MM) |
| 0.2MM | 11255 | 303 | 666 | 186 | 30"(779MM) |
| 0.2MM | 11256 | 367 | 786 | 208 | 36"(931MM) |
| 0.2MM | 11257 | 431 | 939 | 236 | 42"(1089MM) |
| 0.2MM | 11258 | 559 | 1180 | 280 | 48"(1233MM) |

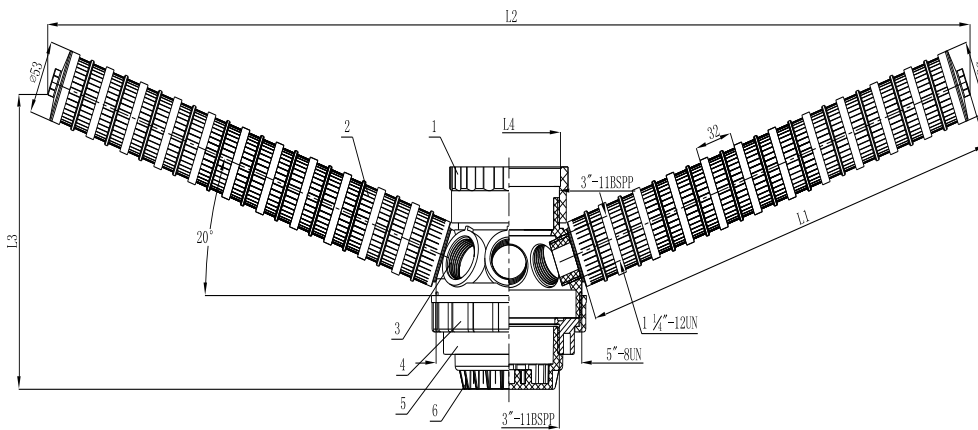
CHART 3 – COMPLETE ASSEMBLY PART NUMBERS (0.2MM SLOT)
ENGLISH CONNECTION (2" PIPE (2.374"O.D.))

| ASSEMBLY PART NUMBER | TANK DIAMETER(INCHES) | Φ53 LATERAL PART NUMBER |
|----------------------|-----------------------|-------------------------|
| 11261-01 | 18" | 11252 |
| 11261-03 | 21" | 11253 |
| 11261-05 | 24" | 11254 |
| 11261-07 | 30" | 11255 |
| 11261-09 | 36" | 11256 |
| 11261-21 | 42" | 11257 |
| 11261-23 | 48" | 11258 |



TOP MOUNT 8 LATERAL (Φ53MM) DISTRIBUTOR (21" ~ 63" TANKS) THREAD CONNECTION

SLOT: 0.2mm - Black Color



REMARK: 1PSI=0.007MPa, 1GPM=227L/H

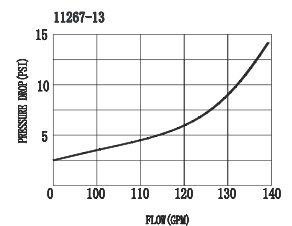
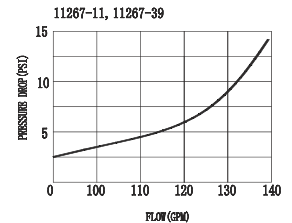
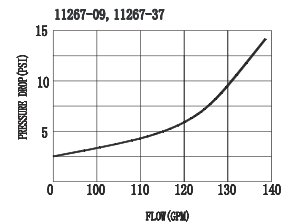
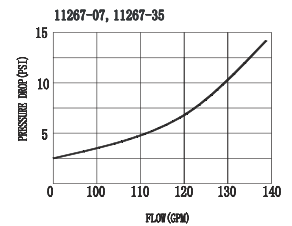
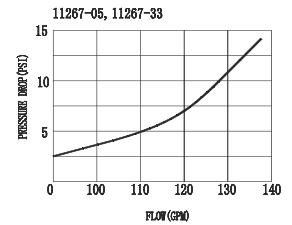
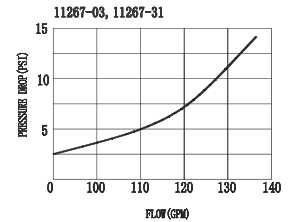
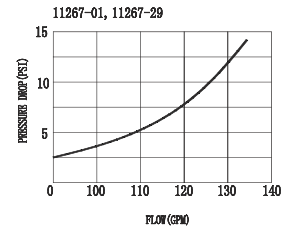


CHART 1- COMPONENTS

| ITEM | PART NUMBER | DESCRIPTION | QTY |
|------|-------------|--------------------------|-----|
| 1 | SEE CHART 3 | ADAPTER | 1 |
| 2 | SEE CHART 2 | Φ53 LATERAL ASSY- THREAD | 8 |
| 3 | 11059 | HUB-THREAD | 1 |
| 4 | 50197 | TOP ADAPTER | 1 |
| 5 | 50198 | BOTTOM ADAPTER | 1 |
| 6 | 50236 | BOTTOM CAP | 1 |

CHART 2 –Φ53MM LATERAL THREAD PART NUMBERS

| SLOT | PART NUMBER | L1(MM) | L2(MM) | L3(MM) | TANK DIAMETER |
|-------|-------------|--------|--------|--------|---------------|
| 0.2MM | 11253 | 175 | 458 | 148 | 21"(555MM) |
| 0.2MM | 11254 | 239 | 579 | 170 | 24"(624MM) |
| 0.2MM | 11255 | 303 | 699 | 192 | 30"(779MM) |
| 0.2MM | 11256 | 367 | 819 | 214 | 36"(931MM) |
| 0.2MM | 11257 | 431 | 939 | 236 | 42"(1089MM) |
| 0.2MM | 11258 | 559 | 1180 | 280 | 48"(1233MM) |
| 0.2MM | 11259 | 687 | 1420 | 324 | 63"(1625MM) |

CHART 3 – ADAPTER PART NUMBERS

| PART NUMBER | CENTRAL PIPE DIAMETER | L4(MM) |
|----------------------|--|--------|
| 11069 AND 11069-1 | 3"PIPE (3.5"O.D.) ABS BLACK AND PVC GREY (SOCKET FIT) | 88.9 |
| 11422 | 2"PIPE (2.374"O.D.) ABS BLACK (SOCKET FIT) | 60.5 |



TOP MOUNT 8 LATERAL (Φ53MM) DISTRIBUTOR (21" ~ 63" TANKS) THREAD CONNECTION SLOT: 0.2mm - Black Color



CHART 4 – COMPLETE ASSEMBLY PART NUMBERS (0.2MM SLOT)

ENGLISH CONNECTION (3"PIPE (3.5"O.D.))

| ASSEMBLY PART NUMBER | TANK DIAMETER (INCHES) | Φ53 LATERAL PART NUMBER | ADAPTER PART NUMBER |
|-------------------------|---------------------------|----------------------------|------------------------|
| 11267-01 | 21" | 11253 | 11069 AND 11069-1 |
| 11267-03 | 24" | 11254 | 11069 AND 11069-1 |
| 11267-05 | 30" | 11255 | 11069 AND 11069-1 |
| 11267-07 | 36" | 11256 | 11069 AND 11069-1 |
| 11267-09 | 42" | 11257 | 11069 AND 11069-1 |
| 11267-11 | 48" | 11258 | 11069 AND 11069-1 |
| 11267-13 | 63" | 11259 | 11069 AND 11069-1 |

ENGLISH CONNECTION (2"PIPE (2.374"O.D.))

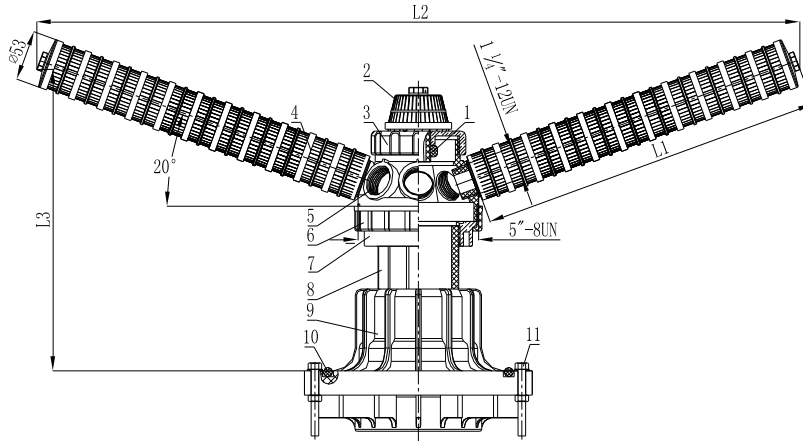
| ASSEMBLY PART NUMBER | TANK DIAMETER (INCHES) | Φ53 LATERAL PART NUMBER | ADAPTER PART NUMBER |
|-------------------------|---------------------------|----------------------------|------------------------|
| 11267-29 | 21" | 11253 | 11422 |
| 11267-31 | 24" | 11254 | 11422 |
| 11267-33 | 30" | 11255 | 11422 |
| 11267-35 | 36" | 11256 | 11422 |
| 11267-37 | 42" | 11257 | 11422 |
| 11267-39 | 48" | 11258 | 11422 |

RECOMMEND 6" FLANGE CLOSURE KITS 10584, 10585, 10916, OR 10917 ON 42"-48"-63" TANKS.



BOTTOM MOUNT 8 LATERAL (Φ53MM) DISTRIBUTOR (21" ~ 63" TANKS) THREAD CONNECTION

SLOT: 0.2mm - Black Color



REMARK: 1PSI=0.007MPa, 1GPM=227L/H

CHART 1- COMPONENTS

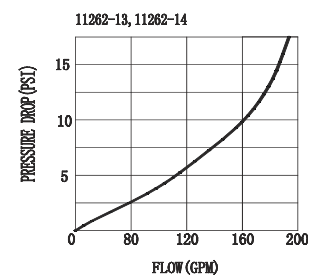
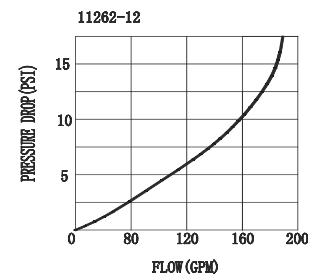
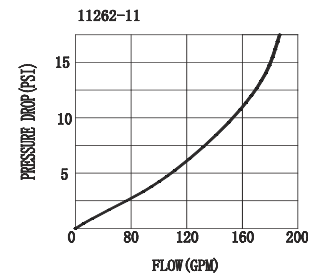
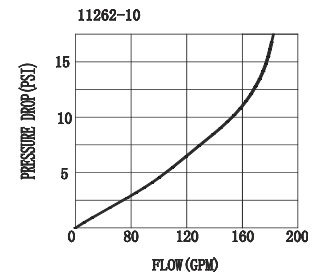
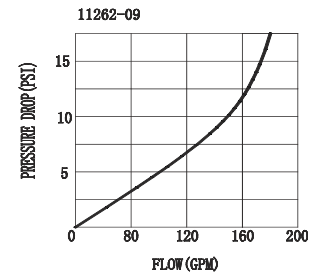
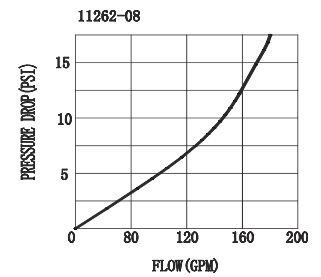
| ITEM | PART NUMBER | DESCRIPTION | QTY |
|------|-----------------|-------------------------------|-----|
| 1 | 50195 | NUT | 1 |
| 2 | 10925 | FILTER NOZZLE | 1 |
| 3 | 50193 | CAP | 1 |
| 4 | SEE CHART 2 | Φ53 LATERAL ASSEMBLY - THREAD | 8 |
| 5 | 11059 | HUB-THREAD | 1 |
| 6 | 50197 | TOP ADAPTER | 1 |
| 7 | 50198 | BOTTOM ADAPTER | 1 |
| 8 | 50255 | ENGLISH TUBE | 1 |
| 9 | FLANGE KIT SOLD | FLANGE | 0 |
| 10 | SEPARATELY, SEE | O RING | 0 |
| 11 | PAGE 39.40. | BOLT KIT | 0 |

CHART 2 –Φ53MM LATERAL THREAD PART NUMBERS

| SLOT | PART NUMBER | L1(MM) | L2(MM) | L3(MM) | TANK DIAMETER |
|-------|-------------|--------|--------|--------|---------------|
| 0.2MM | 11253 | 175 | 458 | 148 | 21"(555MM) |
| 0.2MM | 11254 | 239 | 579 | 170 | 24"(624MM) |
| 0.2MM | 11255 | 303 | 699 | 192 | 30"(779MM) |
| 0.2MM | 11256 | 367 | 819 | 214 | 36"(931MM) |
| 0.2MM | 11257 | 431 | 939 | 236 | 42"(1089MM) |
| 0.2MM | 11258 | 559 | 1180 | 280 | 48"(1233MM) |
| 0.2MM | 11259 | 687 | 1420 | 324 | 63"(1625MM) |

CHART 3 – COMPLETE ASSEMBLY PART NUMBERS (0.2MM SLOT)
ENGLISH FLANGE ADAPTER 6"-3"NPT-3"NPT OR 6"-4"UN-3"NPT

| ASSEMBLY PART NUMBER | TANK DIAMETER (INCHES) | Φ53 LATERAL PART NUMBER |
|----------------------|------------------------|-------------------------|
| 11262-08 | 21" | 11253 |
| 11262-09 | 24" | 11254 |
| 11262-10 | 30" | 11255 |
| 11262-11 | 36" | 11256 |
| 11262-12 | 42" | 11257 |
| 11262-13 | 48" | 11258 |
| 11262-14 | 63" | 11259 |



TOP MOUNT 16 LATERAL (Φ53MM) DISTRIBUTOR HIGH FLOW (42" ~ 63" TANKS) THREAD CONNECTION

SLOT: 0.2mm - Black Color

REMARK: 1PSI=0.007MPa, 1GPM=227L/H

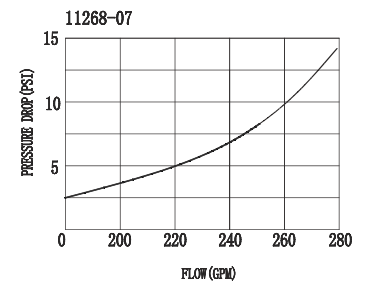
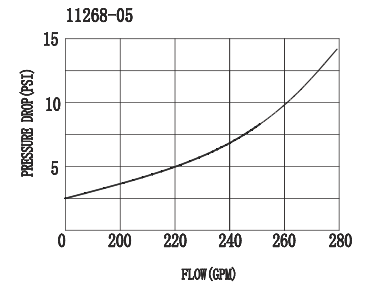
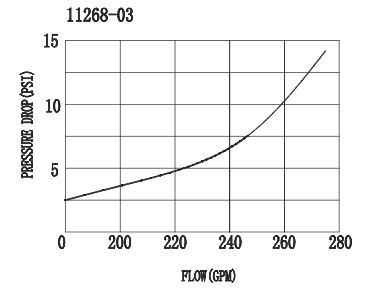
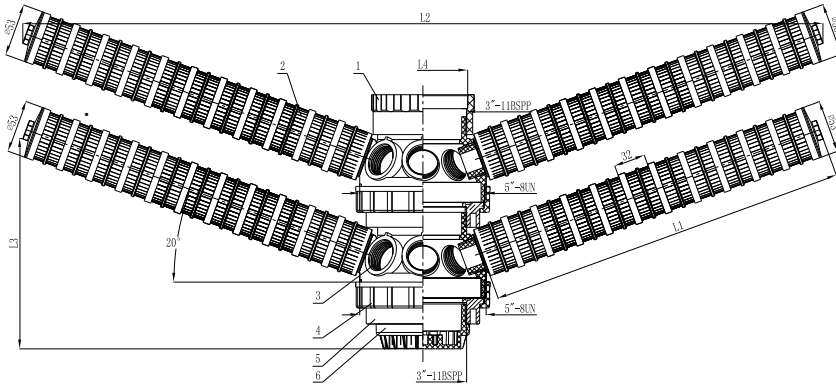


CHART 1- COMPONENTS

| ITEM | PART NUMBER | DESCRIPTION | QTY |
|------|----------------------|---|-----|
| 1 | 11069 AND 11069-1 | 3"PIPE (3.5"O.D.) ABS BLACK AND PVC GREY(SOCKET FIT) | 1 |
| 2 | SEE CHART 2 | Φ53 LATERAL ASSY- THREAD | 16 |
| 3 | 11059 | HUB-THREAD | 2 |
| 4 | 50197 | TOP ADAPTER | 2 |
| 5 | 50198 | BOTTOM ADAPTER | 2 |
| 6 | 50236 | BOTTOM CAP | 1 |

CHART 2 –Φ53MM LATERAL THREAD PART NUMBERS

| SLOT | PART NUMBER | L1(MM) | L2(MM) | L3(MM) | TANK DIAMETER |
|-------|-------------|--------|--------|--------|---------------|
| 0.2MM | 11257 | 431 | 939 | 236 | 42"(1089MM) |
| 0.2MM | 11258 | 559 | 1180 | 280 | 48"(1233MM) |
| 0.2MM | 11259 | 687 | 1420 | 324 | 63"(1625MM) |

**CHART 3 – COMPLETE ASSEMBLY PART NUMBERS (0.2MM SLOT)
ENGLISH CONNECTION (3"PIPE (3.5"O.D.))**

| ASSEMBLY | TANK DIAMETER | Φ53 LATERAL |
|----------|---------------|-------------|
| 11268-03 | 42" | 11257 |
| 11268-05 | 48" | 11258 |
| 11268-07 | 63" | 11259 |

RECOMMEND 6" FLANGE CLOSURE KITS 10584, 10585, 10916, OR 10917 ON 42"-48"-63" TANKS.



BOTTOM MOUNT 16 LATERAL (Φ53MM) DISTRIBUTOR HIGH FLOW (42" ~ 63" TANKS) THREAD CONNECTION

SLOT: 0.2mm - Black Color

REMARK: 1PSI=0.007MPa, 1GPM=227L/H

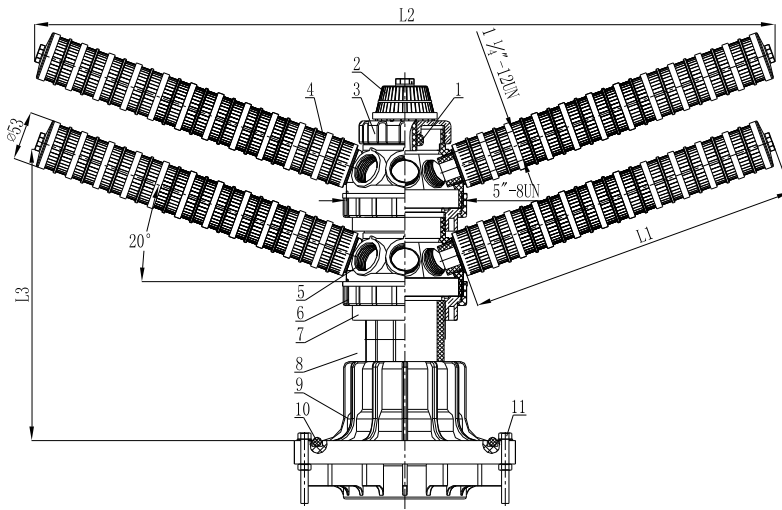


CHART 1- COMPONENTS

| ITEM | PART NUMBER | DESCRIPTION | QTY |
|------|-----------------|--------------------|-----|
| 1 | 50195 | NUT | 1 |
| 2 | 10925 | FILTER NOZZLE | 1 |
| 3 | 50193 | CAP | 1 |
| 4 | SEE CHART2 | Φ53 LATERAL-THREAD | 16 |
| 5 | 11059 | HUB - THREAD | 2 |
| 6 | 50197 | TOP ADAPTER | 2 |
| 7 | 50198 | BOTTOM ADAPTER | 2 |
| 8 | 50255 | ENGLISH TUBE | 1 |
| 9 | FLANGE KIT SOLD | FLANGE | 0 |
| 10 | SEPARATELY ,SEE | O RING | 0 |
| 11 | PAGE 39,40 | BOLT KIT | 0 |

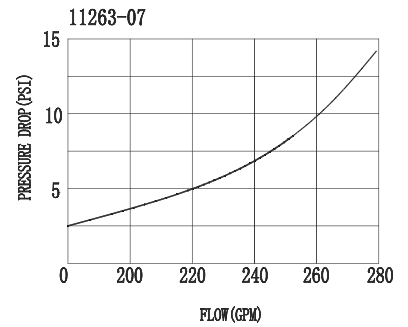
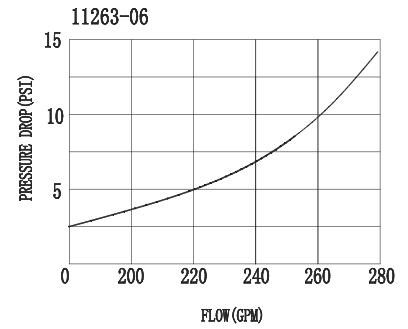
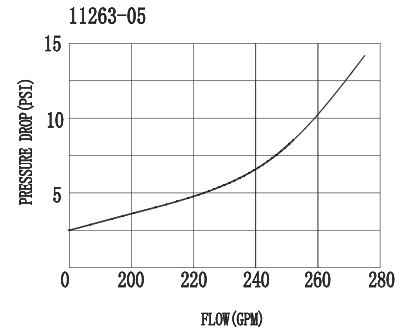


CHART 2 –Φ53MM LATERAL THREAD PART NUMBERS

| SLOT | PART NUMBER | L1(MM) | L2(MM) | L3(MM) | TANK DIAMETER |
|-------|-------------|--------|--------|--------|---------------|
| 0.2MM | 11257 | 431 | 939 | 236 | 42"(1089MM) |
| 0.2MM | 11258 | 559 | 1180 | 280 | 48"(1233MM) |
| 0.2MM | 11259 | 687 | 1420 | 324 | 63"(1625MM) |

CHART 3 – COMPLETE ASSEMBLY PART NUMBERS (0.2MM SLOT)

ENGLISH FLANGE ADAPTER 6"-3"NPT-3"NPT OR 6"-4"UN-3"NPT

| ASSEMBLY PART NUMBER | TANK DIAMETER(INCHES) | Φ53 LATERAL PART NUMBER |
|----------------------|-----------------------|-------------------------|
| 11263-05 | 42" | 11257 |
| 11263-06 | 48" | 11258 |
| 11263-07 | 63" | 11259 |



TOP MOUNT 2.5" DIFFUSER DISTRIBUTOR (12" ~ 36" TANKS) WAVE CYBER VALVE ONLY SLOT: 0.2mm - Black Color

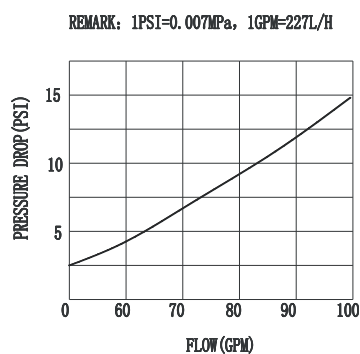
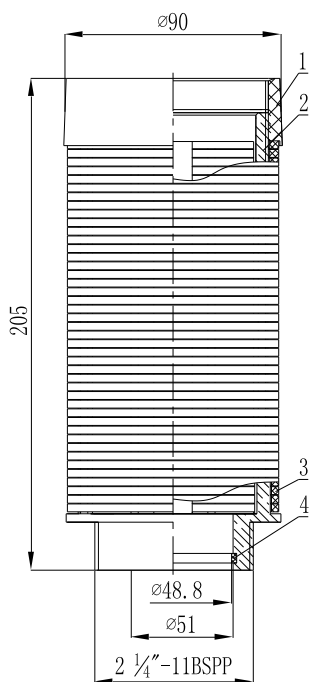


CHART 1- COMPONENTS

| ITEM | PART NUMBER | DESCRIPTION | QTY | TANK DIAMETER (INCHES/MM) |
|------|-------------|--------------|-----|---|
| 1 | 50184 | BASE | 1 | 12"~36"(310~931MM) |
| 2 | 50181 | SHELF | 1 | |
| 3 | 50182 | 0.2MM SLICE | 45 | |
| 4 | 50185 | ADAPTER RING | 1 | 1.5"PIPE (1.901" O.D.) ONLY 30%GF PP BLACK |

CHART 2- COMPLETE ASSEMBLY PART NUMBER (0.2MM SLOT)

| PART NUMBER | TANK DIAMETER(INCHES) |
|-------------|-----------------------|
| 10933 | 12"~36"-E |



TOP/BOTTOM MOUNT 2.5" DIFFUSER DISTRIBUTOR (12" ~ 36" TANKS)

SLOT: 0.2mm - Black Color

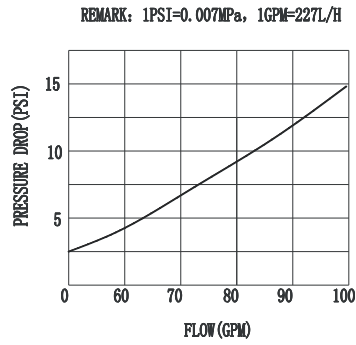
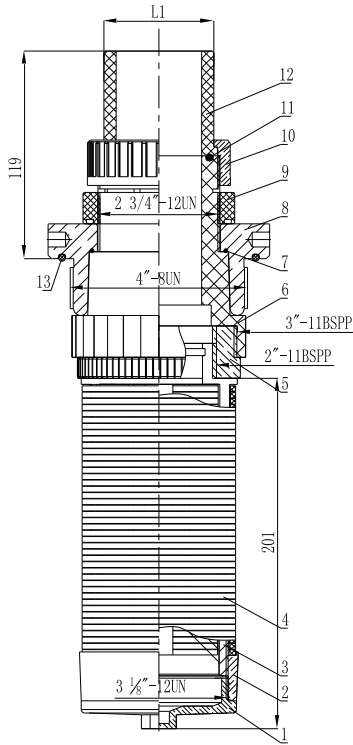


CHART 1- COMPONENTS

| ITEM | PART NUMBER | DESCRIPTION | QTY |
|------|-------------|-------------------------------|-----|
| 1 | 50183 | CAP | 1 |
| 2 | 50184 | BASE | 1 |
| 3 | 50181 | SHELF | 1 |
| 4 | 50182 | 0.2MM SLICE | 45 |
| 5 | 10728 | ADAPTER | 1 |
| 6 | 50178 | TUBE | 1 |
| 7 | 10833 | O RING | 1 |
| 8 | 11017 | 4" ADAPTER | 1 |
| 9 | 50179 | NUT | 1 |
| 10 | 10715 | UNION | 1 |
| 11 | 10834 | O RING | 1 |
| 12 | 10716 | 2" PIPE (2.374"O.D.) PVC GREY | 1 |
| 13 | 10229 | O RING | 1 |

CHART 2- COMPLETE ASSEMBLY PART NUMBERS (0.2MM SLOT)

ENGLISH CONNECTION 2" PIPE (2.374" O.D.)

| ASSEMBLY PART NUMBER | TANK DIAMETER(INCHES) |
|----------------------|-----------------------|
| 10932 | 12"~36" |



TOP MOUNT 3" DIFFUSER DISTRIBUTOR HIGH FLOW (42" ~ 63" TANKS) SLOT: 0.2mm - Black Color

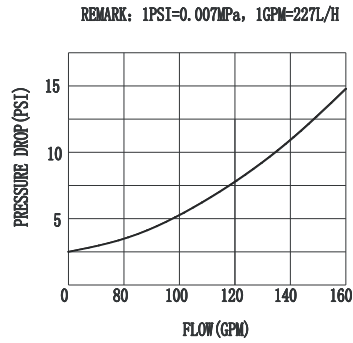
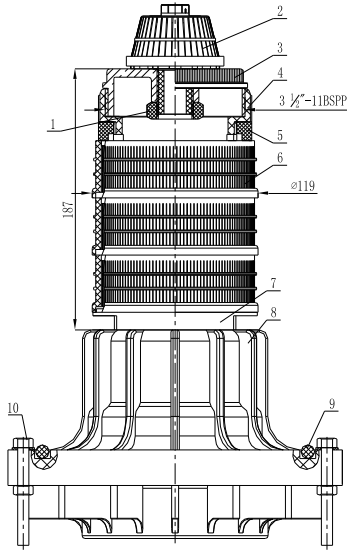


CHART 1- COMPONENTS

| ITEM | PART NUMBER | DESCRIPTION | QTY |
|------|---|---------------|-----|
| 1 | 50195 | NUT | 1 |
| 2 | 10925 | FILTER NOZZLE | 1 |
| 3 | 50188 | DIFFUSER CAP | 1 |
| 4 | 10729 | ADAPTER | 1 |
| 5 | 50189 | ADAPTER RING | 1 |
| 6 | 50187 | 0.2MM BASKET | 3 |
| 7 | 50257 | ENGLISH BASE | 1 |
| 8 | FLANGE KIT SOLD SEPARATELY ,SEE PAGE | FLANGE | 0 |
| 9 | | O RING | 0 |
| 10 | | BOLT KIT | 0 |
| | 39.40 | | |

CHART 2 – COMPLETE ASSEMBLY PART NUMBERS (0.2MM SLOT)

ENGLISH FLANGE ADAPTER 6"-3"NPT-3"NPT OR 6"-4"UN-3"NPT

| ASSEMBLY PART NUMBER | TANK DIAMETER(INCHES) |
|----------------------|-----------------------|
| 10928-01 | 42"~63" |

TOP MOUNT 3" DIFFUSER DISTRIBUTOR HIGH FLOW (42" ~ 63" TANKS) SLOT: 0.2mm - Black Color

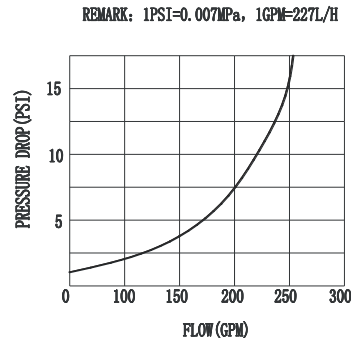
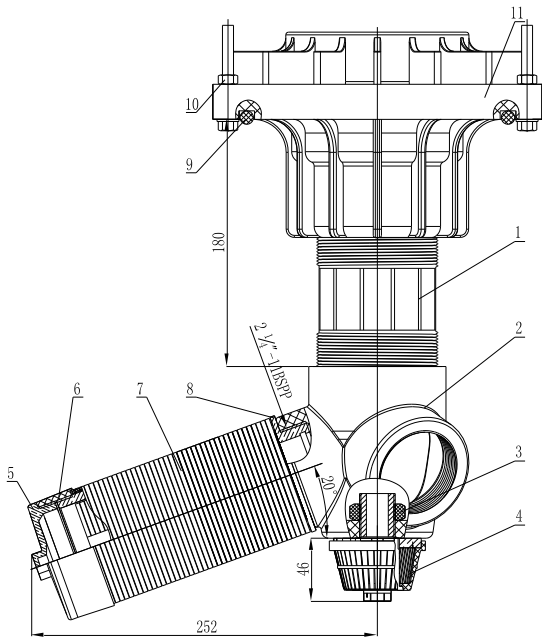


CHART 1- COMPONENTS

| ITEM | PART NUMBER | DESCRIPTION | QTY |
|------|----------------------|----------------|-----|
| 1 | 50196 | METRIC TUBE OR | 1 |
| | 50256 | ENGLISH TUBE | 1 |
| 2 | 50199 | HUB | 1 |
| 3 | 50195 | NUT | 1 |
| 4 | 10925 | FILTER NOZZLE | 1 |
| 5 | 50183 | CAP | 3 |
| 6 | 50184 | BASE | 3 |
| 7 | 50182 | 0.2MM SLICE | 135 |
| 8 | 50181 | SHELF | 3 |
| 9 | FLANGE KIT SOLD | O RING | 0 |
| 10 | SEPARATELY ,SEE PAGE | BOLT KIT | 0 |
| 11 | 39.40 | FLANGE | 0 |

CHART 2 – COMPLETE ASSEMBLY PART NUMBERS (0.2MM SLOT)

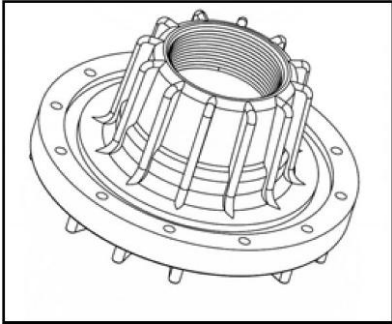
ENGLISH FLANGE ADAPTER 6"-3"NPT-3"NPT OR 6"-4"UN-3"NPT

| ASSEMBLY PART NUMBER | TANK DIAMETER(INCHES) |
|----------------------|-----------------------|
| 10929-01 | 42"~63" |





6" Flange Reducer Adapters Kits

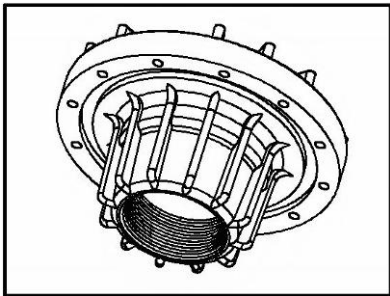


| DESCRIPTION | PART NUMBER |
|--|-------------|
| 6" FLG×3"NPT×3"NPT(10222-1) c/w o-ring seal (P/N 10228) and METRIC bolt kit (P/N 20151) | 10322 |
| 6" FLG×3"BSPP×3"BSPP(10222-2) c/w o-ring seal (P/N 10228) and METRIC bolt kit (P/N 20151) | 10323 |
| 6" FLG×3"NPT×3"BSPP(10222-3) c/w o-ring seal (P/N 10228) and METRIC bolt kit (P/N 20151) | 11299 |
| 6"FLG×4"UN×3"NPT(10223-1) c/w o-ring seals (P/N 10228),(P/N 10177) and METRIC bolt kit (P/N 20151) | 10324 |
| 6"FLG×4"UN×3"BSPP(10223-2) c/w o-ring seals (P/N 10228),(P/N 10177) and METRIC bolt kit (P/N 20151) | 10325 |
| 6" FLG×3"NPT×3"NPT(10222-1) c/w o-ring seal (P/N 10228) and Metric bolt kit (P/N 20150) | 10336 |
| 6" FLG×3"BSPP×3"BSPP(10222-2) c/w o-ring seal (P/N 10228) and Metric bolt kit (P/N 20150) | 10337 |
| 6" FLG×3"NPT×3"BSPP(10222-3) c/w o-ring seal (P/N 10228) and Metric bolt kit (P/N 20150) | 11298 |
| 6"FLG×4"UN×3"NPT(10223-1) c/w o-ring seals (P/N 10228),(P/N 10177) and Metric bolt kit (P/N 20150) | 10338 |
| 6"FLG×4"UN×3"BSPP(10223-2) c/w o-ring seals (P/N 10228),(P/N 10177) and Metric bolt kit (P/N 20150) | 10339 |





6" Flange Reducer Closure Kits



| DESCRIPTION | PART NUMBER |
|--|-------------|
| 6" FLG×4"UN×3"NPT(10340) c/w o-ring seal (P/N 10228) and METRIC bolt kit (P/N 20151) | 10584 |
| 6" FLG×4"UN×3"NPT(10340) c/w o-ring seal (P/N 10228) and Metric bolt kit (P/N 20150) | 10585 |
| 6" FLG×4"UN×3"BSPP(10915) c/w o-ring seal (P/N 10228) and METRIC bolt kit (P/N 20151) | 10916 |
| 6" FLG×4"UN×3"BSPP(10915) c/w o-ring seal (P/N 10228) and Metric bolt kit (P/N 20150) | 10917 |

Other Accessories



| DESCRIPTION | PART NUMBER |
|--|-------------|
| 6" FLG METRIC bolt kit,SS304 c/w 12 sets 5/16"-18 UNC*2-3/4" screws, nuts and washers | 20151 |
| 6" FLG Metric bolt kit,SS304 c/w 12 sets GB5782-86-M8*70 mm screws, nuts and washers | 20150 |
| 6" FLG adapter O-ring seal,180.4mm×φ9.8mm | 10228 |
| 4" adapter O-ring face seal,107mm×φ4mm | 10229 |
| 4" adapter O-ring chamfer seal,92mm×φ5.3mm | 10177 |



Contact us :

Address : No.899, Songying Road,
Qingpu Industries Zone,
Qingpu District, Shanghai China

Post Code : 201703

Tel : 86-21-69758588

Fax : 86-21-69758288

E-mail : info@wave-cyber.com



www.wave-cyber.com

Wave Cyber (Shanghai) Co.,

151119WCDEN-3A