



Distributor Catalog 5

Threaded Connect 0.5 mm slot

English Connection

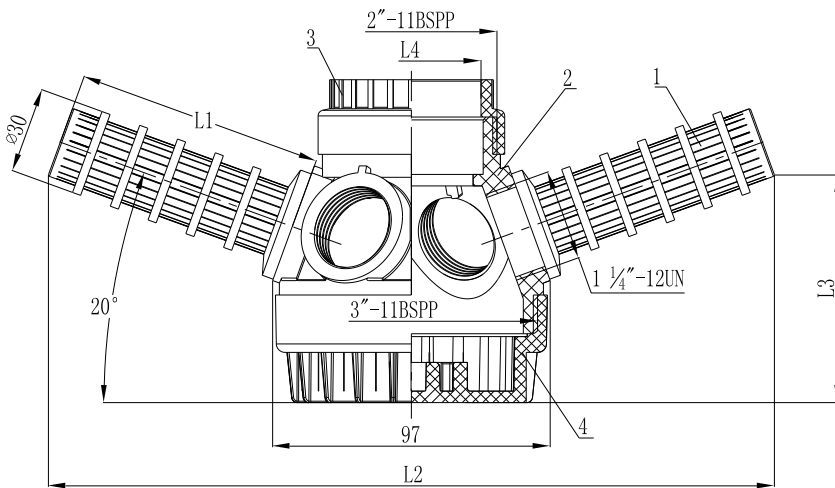
www.wave-cyber.com

Wave Cyber (Shanghai) Co., Ltd.

151119WCDEN-5A

TOP MOUNT 6 LATERAL (Φ30MM) DISTRIBUTOR (12" ~ 21" TANKS) THREAD CONNECTION

SLOT: 0.5mm - Grey Color



REMARK: 1PSI=0.007MPa, 1GPM=227L/H

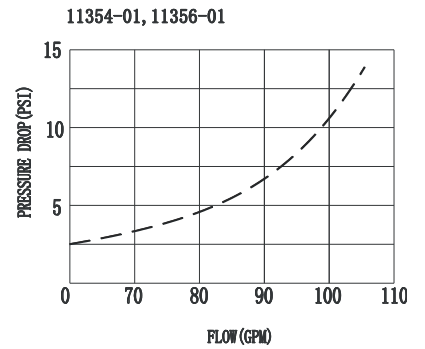
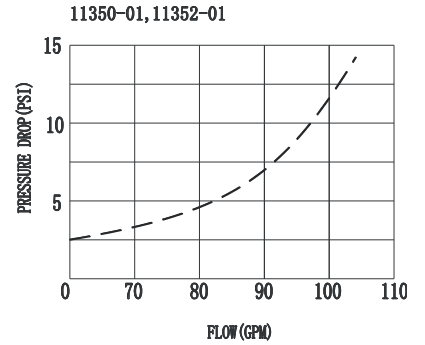


CHART 1- COMPONENTS

ITEM	PART NUMBER	DESCRIPTION	QTY
1	SEE CHART 2	Φ30 LATERAL-THREAD	6
2	11058	HUB-THREAD	1
3	50174	1.5" PIPE (1.901" O.D.) ABS BLACK(SOCKET FIT)	1
4	50235	BOTTOM CAP	1
TOOL	50177	SPLINE	1

CHART 2 –Φ30MM LATERAL-THREAD PART NUMBERS

SOLT SIZE	PART NUMBER	L1(MM)	L2(MM)	L3(MM)	TANK DIAMETER (INCHES/MM)
0.5MM	50251	100	279	84	12"(310MM)
0.5MM	50252	114	305	89	13" AND 14"(336~363MM)
0.5MM	50253	142	358	98	16"(413MM)
0.5MM	50254	184	437	112	18" AND 21"(486~555MM)

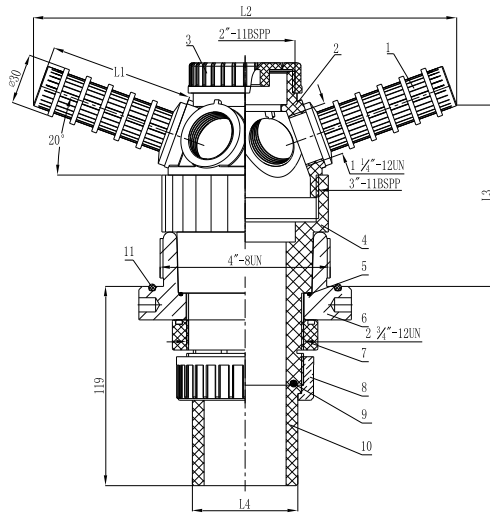
CHART 3 – COMPLETE ASSEMBLY PART NUMBERS (0.5MM SLOT)

ENGLISH CONNECTION (1.5" PIPE (1.901" O.D.))

ASSEMBLY PART NUMBER	TANK DIAMETER (INCHES)	Φ30 LATERAL PART NUMBER
11350-01	12"	50251
11352-01	13"/14"	50252
11354-01	16"	50253
11356-01	18"/21"	50254



BOTTOM MOUNT 6 LATERAL (Φ30MM) DISTRIBUTOR (12" ~ 21" TANKS) THREAD CONNECTION SLOT: 0.5mm - Grey Color



REMARK: 1PSI=0.007MPa, 1GPM=227L/H

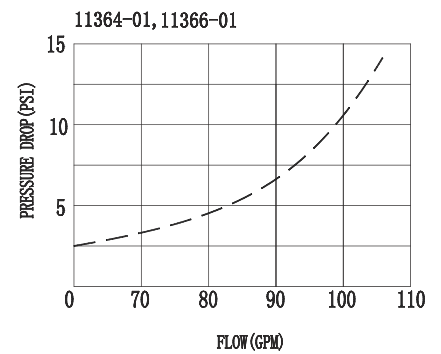
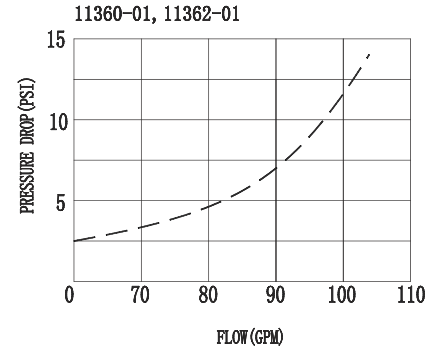


CHART 1- COMPONENTS

ITEM	PART NUMBER	DESCRIPTION	QTY
1	SEE CHART 2	Φ30 LATERAL-THREAD	6
2	11058	HUB-THREAD	1
3	50176	TOP CAP	1
4	50178	TUBE	1
5	10833	O RING	1
6	11017	4" ADAPTER	1
7	50179	NUT	1
8	10715	UNION	1
9	10834	O RING	1
10	10716	2" PIPE (2.374" O.D.) PVC GREY(SOCKET FIT)	1
11	10229	O RING	1
TOOL	50177	SPLINE	1

CHART 2 –Φ30MM LATERAL-THREAD PART NUMBERS

SOLT SIZE	PART NUMBER	L1(MM)	L2(MM)	L3(MM)	TANK DIAMETER (INCHES/MM)
0.5MM	50251	100	279	84	12"(310MM)
0.5MM	50252	114	305	89	13" AND 14"(336~363MM)
0.5MM	50253	142	358	98	16"(413MM)
0.5MM	50254	184	437	112	18" AND 21"(486~555MM)

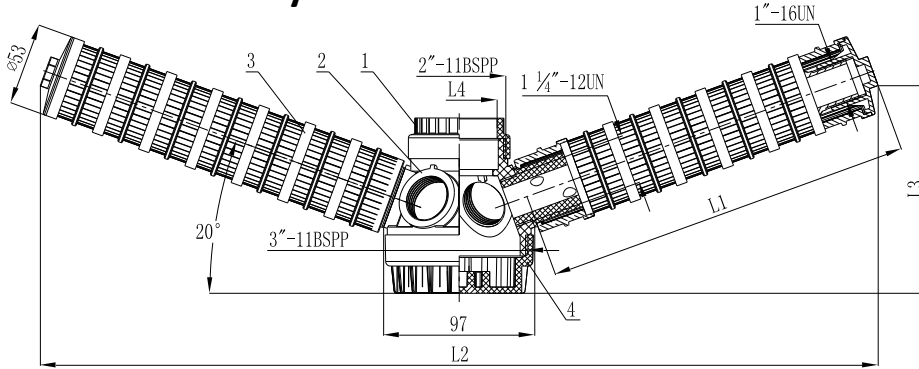
**CHART 3 – COMPLETE ASSEMBLY PART NUMBERS (0.5MM SLOT)
ENGLISH CONNECTION (2" PIPE (2.374" O.D.))**

ASSEMBLY PART NUMBER	TANK DIAMETER(INCHES)	Φ30 LATERAL PART NUMBER
11360-01	12"	50251
11362-01	13"/14"	50252
11364-01	16"	50253
11366-01	18"/21"	50254



TOP MOUNT 6 LATERAL (Φ53MM) DISTRIBUTOR (18" ~ 48" TANKS) THREAD CONNECTION

SLOT: 0.5mm - Grey Color



REMARK: 1PSI=0.007MPa, 1GPM=227L/H

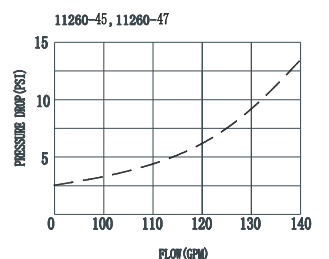
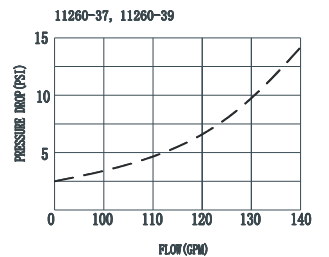
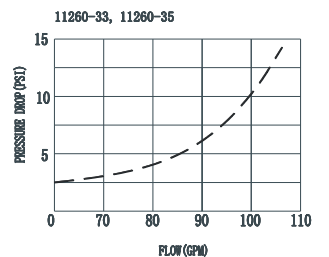
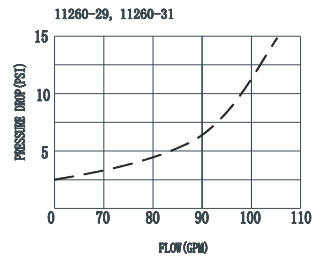
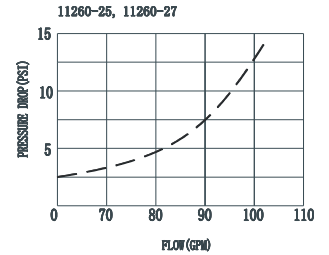
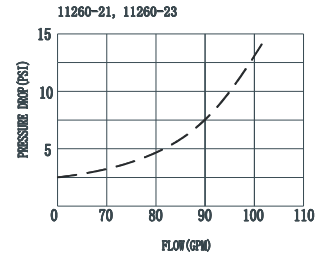


CHART 1- COMPONENTS

ITEM	PART NUMBER	DESCRIPTION	QTY
1	SEE CHART 3	ADAPTER	1
2	11058	HUB-THREAD	1
3	SEE CHART 2	Φ53 LATERAL ASSEMBLY-THREAD	6
4	50235	BOTTOM CAP	1
TOOL	50177	SPLINE	1

CHART 2 –Φ53MM LATERAL PART NUMBERS

SLOT SIZE	PART NUMBER	L1(MM)	L2(MM)	L3(MM)	TANK DIAMETER (INCHES/MM)
0.5MM	11252-01	143	365	103	18"(486MM)
0.5MM	11253-01	175	425	114	21"(555MM)
0.5MM	11254-01	239	545	136	24"(624MM)
0.5MM	11255-01	303	666	158	30"(779MM)
0.5MM	11256-01	367	786	180	36"(931MM)
0.5MM	11257-01	431	906	200	42"(1089MM)
0.5MM	11258-01	559	1147	246	48"(1233MM)

CHART 3 – ADAPTER PART NUMBERS

PART NUMBER	CENTRAL PIPE DIAMETER	L4(MM)
50174	1.5"PIPE (1.901"O.D.) ABS BLACK (SOCKET FIT)	48.5
10726	2"PIPE (2.374"O.D.) ABS BLACK (SOCKET FIT)	60.5

CHART 4 – COMPLETE ASSEMBLY PART NUMBERS (0.5MM SLOT)

ENGLISH CONNECTION (1.5"PIPE (1.901"O.D.) OR 2"PIPE (2.374"O.D.))

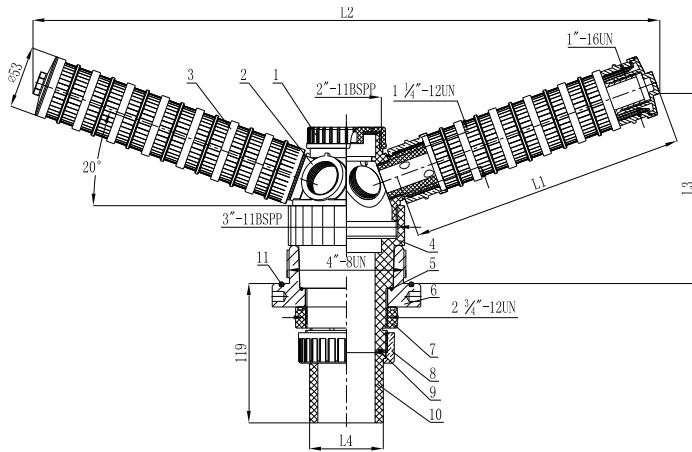
ASSEMBLY PART NUMBER	TANK DIAMETER (INCHES)	Φ53 LATERAL PART NUMBER	ADAPTER PART NUMBER
11260-21	18"	11252-01	50174-E
11260-23	18"	11252-01	10726-E
11260-25	21"	11253-01	50174-E
11260-27	21"	11253-01	10726-E
11260-29	24"	11254-01	50174-E
11260-31	24"	11254-01	10726-E
11260-33	30"	11255-01	50174-E
11260-35	30"	11255-01	10726-E
11260-37	36"	11256-01	50174-E
11260-39	36"	11256-01	10726-E
11260-45	42"	11257-01	10726-E
11260-47	48"	11258-01	10726-E

NOTE: 42" - 48" ARE FOR 2" PIPE ONLY



BOTTOM MOUNT 6 LATERAL (Φ53MM) DISTRIBUTOR (18" ~ 48" TANKS) THREAD CONNECTION

SLOT: 0.5mm - Grey Color



REMARK: 1PSI=0.007MPa, 1GPM=227L/H

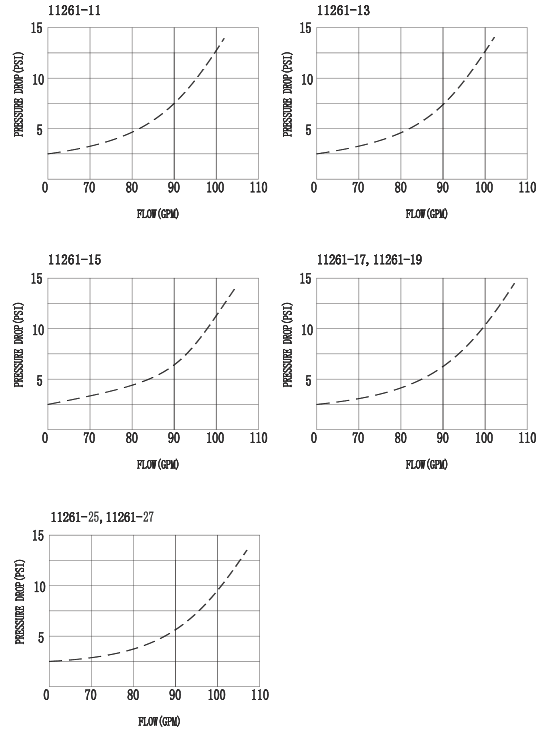


CHART 1- COMPONENTS

ITEM	PART NUMBER	DESCRIPTION	QTY
1	50176	TOP CAP	1
2	11058	HUB-THREAD	1
3	SEE CHART 2	Φ53 LATERAL ASSEMBLY-THREAD	6
4	50238	TUBE	1
5	10833	O RING	1
6	11017	4" ADAPTER	1
7	50179	NUT	1
8	10715	UNION	1
9	10834	O RING	1
10	10716	2" PIPE (2.374" O.D.) PVC GREY(SOCKET FIT)	1
11	10229	O RING	1
TOOL	50177	SPLINE	1

CHART 2 –Φ53MM LATERAL THREAD PART NUMBERS

SLOT SIZE	PART NUMBER	L1(MM)	L2(MM)	L3(MM)	TANK DIAMETER (INCHES/MM)
0.5MM	11252-01	143	365	131	18"(486MM)
0.5MM	11253-01	175	425	142	21"(555MM)
0.5MM	11254-01	239	545	164	24"(624MM)
0.5MM	11255-01	303	666	186	30"(779MM)
0.5MM	11256-01	367	786	208	36"(931MM)
0.5MM	11257-01	431	939	236	42"(1089MM)
0.5MM	11258-01	559	1180	280	48"(1233MM)

CHART 3 – COMPLETE ASSEMBLY PART NUMBERS (0.5MM SLOT)
ENGLISH CONNECTION (2" PIPE (2.374"O.D.))

ASSEMBLY PART NUMBER	TANK DIAMETER(INCHES)	Φ53 LATERAL PART NUMBER
11261-11	18"	11252-01
11261-13	21"	11253-01
11261-15	24"	11254-01
11261-17	30"	11255-01
11261-19	36"	11256-01
11261-25	42"	11257-01
11261-27	48"	11258-01



TOP MOUNT 8 LATERAL (Φ53MM) DISTRIBUTOR (21" ~ 63" TANKS) THREAD CONNECTION SLOT: 0.5mm - Grey Color

REMARK: 1PSI=0.007MPa, 1GPM=227L/H

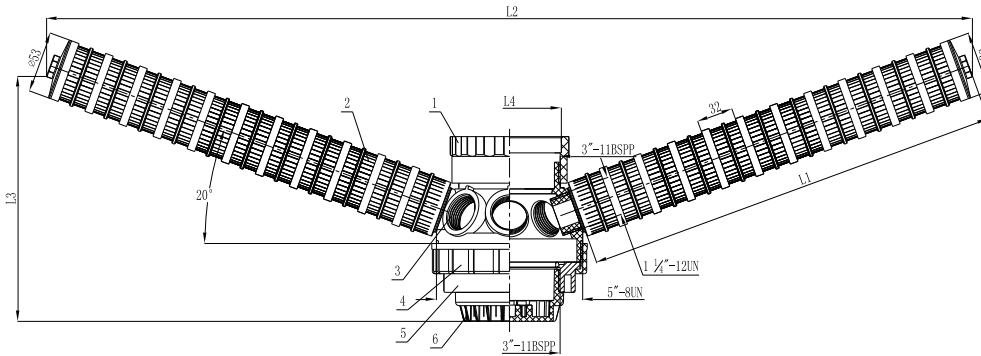


CHART 1- COMPONENTS

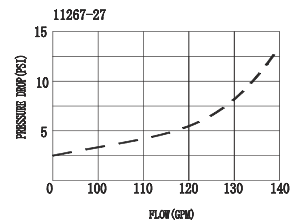
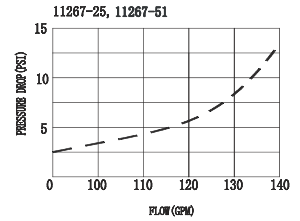
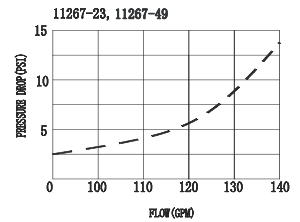
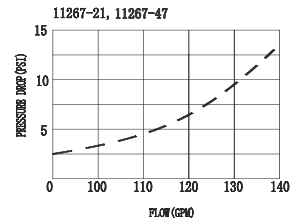
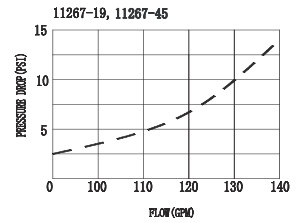
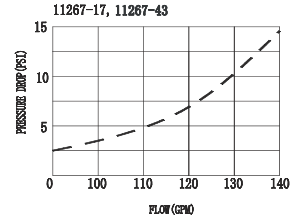
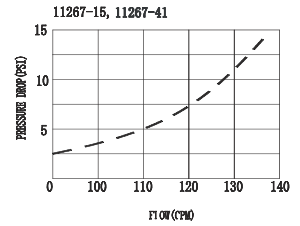
ITEM	PART NUMBER	DESCRIPTION	QTY
1	SEE CHART 3	ADAPTER	1
2	SEE CHART 2	Φ53 LATERAL ASSY- THREAD	8
3	11059	HUB-THREAD	1
4	50197	TOP ADAPTER	1
5	50198	BOTTOM ADAPTER	1
6	50236	BOTTOM CAP	1

CHART 2 –Φ53MM LATERAL THREAD PART NUMBERS

SLOT SIZE	PART NUMBER	L1(MM)	L2(MM)	L3(MM)	TANK DIAMETER (INCHES/MM)
0.5MM	11253-01	175	458	148	21"(555MM)
0.5MM	11254-01	239	579	170	24"(624MM)
0.5MM	11255-01	303	699	192	30"(779MM)
0.5MM	11256-01	367	819	214	36"(931MM)
0.5MM	11257-01	431	939	236	42"(1089MM)
0.5MM	11258-01	559	1180	280	48"(1233MM)
0.5MM	11259-01	687	1420	324	63"(1625MM)

CHART 3 – ADAPTER PART NUMBERS

PART NUMBER	CENTRAL PIPE DIAMETER	L4(MM)
11069 AND 11069-1	3"PIPE (3.5"O.D.) ABS BLACK AND PVC GREY (SOCKET FIT)	88.9
11422	2"PIPE (2.374"O.D.) ABS BLACK (SOCKET FIT)	60.5



**TOP MOUNT 8 LATERAL (Φ53MM) DISTRIBUTOR
(21" ~ 63" TANKS) THREAD CONNECTION
SLOT: 0.5mm - Grey Color**



CHART 4 – COMPLETE ASSEMBLY PART NUMBERS (0.5MM SLOT)

ENGLISH CONNECTION (3"PIPE (3.5"O.D.))

ASSEMBLY PART NUMBER	TANK DIAMETER (INCHES)	Φ53 LATERAL PART NUMBER	ADAPTER PART NUMBER
11267-15	21"	11253-01	11069 AND 11069-1
11267-17	24"	11254-01	11069 AND 11069-1
11267-19	30"	11255-01	11069 AND 11069-1
11267-21	36"	11256-01	11069 AND 11069-1
11267-23	42"	11257-01	11069 AND 11069-1
11267-25	48"	11258-01	11069 AND 11069-1
11267-27	63"	11259-01	11069 AND 11069-1

ENGLISH CONNECTION (2"PIPE (2.374"O.D.))

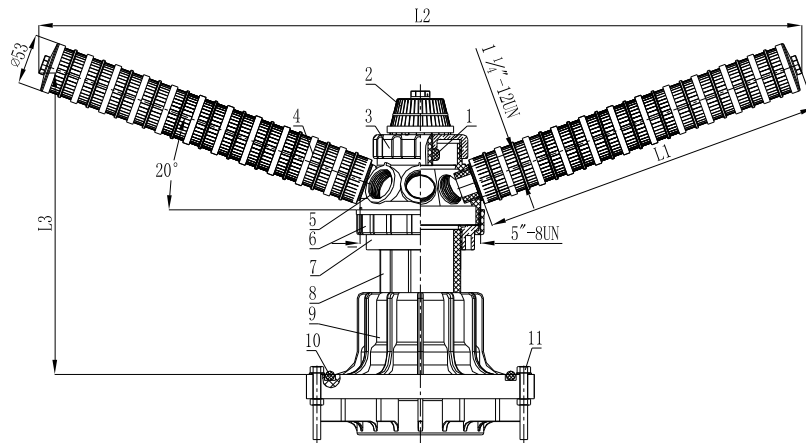
ASSEMBLY PART NUMBER	TANK DIAMETER (INCHES)	Φ53 LATERAL PART NUMBER	ADAPTER PART NUMBER
11267-41	21"	11253-01	11422
11267-43	24"	11254-01	11422
11267-45	30"	11255-01	11422
11267-47	36"	11256-01	11422
11267-49	42"	11257-01	11422
11267-51	48"	11258-01	11422

RECOMMEND 6" FLANGE CLOSURE KITS 10584, 10585, 10916, OR 10917 ON 42"-48"-63" TANKS.



BOTTOM MOUNT 8 LATERAL (Φ53MM) DISTRIBUTOR (21" ~ 63" TANKS) THREAD CONNECTION

SLOT: 0.5mm - Grey Color



REMARK: 1PSI=0.007MPa, 1GPM=227L/H

CHART 1- COMPONENTS

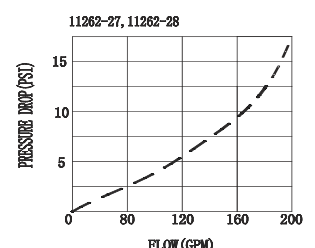
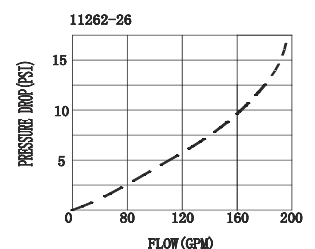
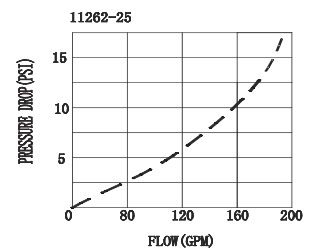
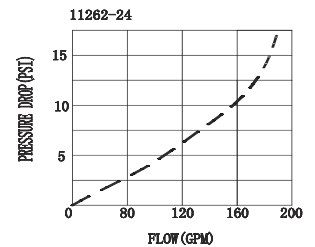
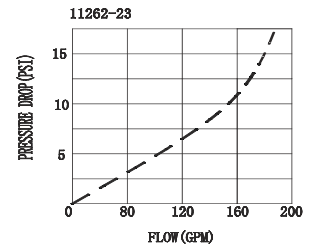
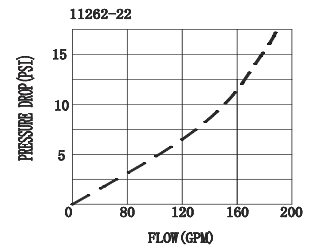
ITEM	PART NUMBER	DESCRIPTION	QTY
1	50195	NUT	1
2	10925	FILTER NOZZLE	1
3	50193	CAP	1
4	SEE CHART 2	Φ53 LATERAL ASSEMBLY - THREAD	8
5	11059	HUB-THREAD	1
6	50197	TOP ADAPTER	1
7	50198	BOTTOM ADAPTER	1
8	50255	ENGLISH TUBE	1
9	FLANGE KIT SOLD	FLANGE	0
10	SEPARATELY , SEE	O RING	0
11	PAGE 39.40.	BOLT KIT	0

CHART 2 –Φ53MM LATERAL THREAD PART NUMBERS

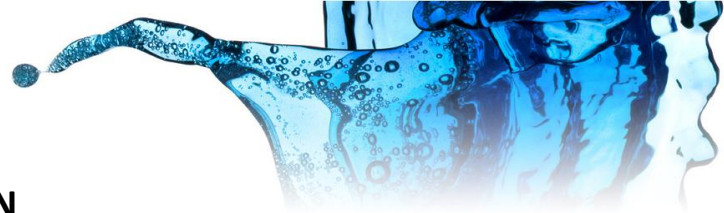
SLOT	PART NUMBER	L1(MM)	L2(MM)	L3(MM)	TANK DIAMETER
0.5MM	11253-01	175	458	148	21"(555MM)
0.5MM	11254-01	239	579	170	24"(624MM)
0.5MM	11255-01	303	699	192	30"(779MM)
0.5MM	11256-01	367	819	214	36"(931MM)
0.5MM	11257-01	431	939	236	42"(1089MM)
0.5MM	11258-01	559	1180	280	48"(1233MM)
0.5MM	11259-01	687	1420	324	63"(1625MM)

CHART 3 – COMPLETE ASSEMBLY PART NUMBERS (0.5MM SLOT)
ENGLISH FLANGE ADAPTER 6"-3"NPT-3"NPT OR 6"-4"UN-3"NPT

ASSEMBLY PART NUMBER	TANK DIAMETER(INCHES)	Φ53 LATERAL PART NUMBER
11262-22	21"	11253-01
11262-23	24"	11254-01
11262-24	30"	11255-01
11262-25	36"	11256-01
11262-26	42"	11257-01
11262-27	48"	11258-01
11262-28	63"	11259-01



TOP MOUNT 16 LATERAL (Φ53MM) DISTRIBUTOR HIGH FLOW (42" ~ 63" TANKS) THREAD CONNECTION SLOT: 0.5mm - Grey Color



REMARK: 1PSI=0.007MPa, 1GPM=227L/H

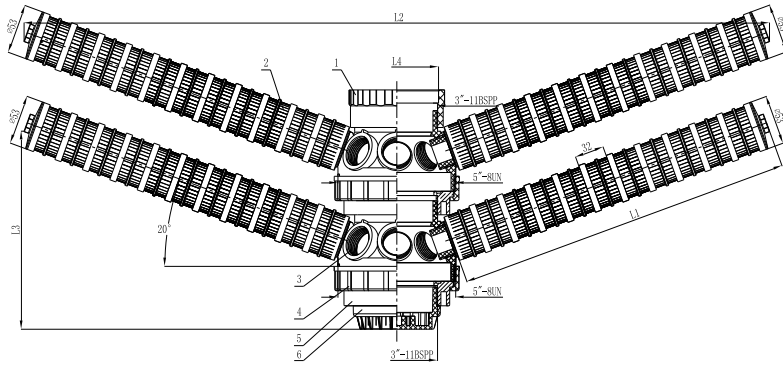


CHART 1- COMPONENTS

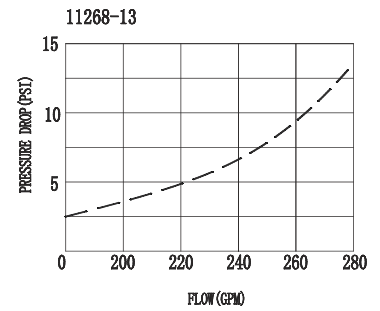
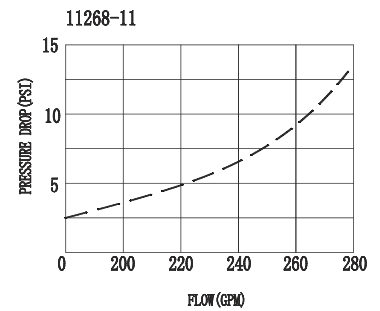
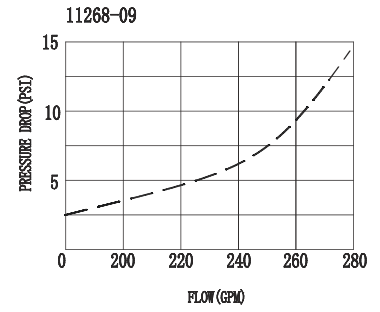
ITEM	PART NUMBER	DESCRIPTION	QTY
1	11069 AND 11069-1	3"PIPE (3.5"O.D.) ABS BLACK AND PVC GREY (SOCKET FIT)	1
2	SEE CHART 2	Φ53 LATERAL ASSY- THREAD	16
3	11059	HUB-THREAD	2
4	50197	TOP ADAPTER	2
5	50198	BOTTOM ADAPTER	2
6	50236	BOTTOM CAP	1

CHART 2 –Φ53MM LATERAL THREAD PART NUMBERS

SLOT SIZE	PART NUMBER	L1(MM)	L2(MM)	L3(MM)	TANK DIAMETER (INCHES/MM)
0.5MM	11257-01	431	939	236	42"(1089MM)
0.5MM	11258-01	559	1180	280	48"(1233MM)
0.5MM	11259-01	687	1420	324	63"(1625MM)

**CHART 3 – COMPLETE ASSEMBLY PART NUMBERS (0.5MM SLOT)
ENGLISH CONNECTION (3"PIPE (3.5"O.D.))**

ASSEMBLY	TANK DIAMETER	Φ53 LATERAL
11268-09	42"	11257-01
11268-11	48"	11258-01
11268-13	63"	11259-01



RECOMMEND 6" FLANGE CLOSURE KITS 10584, 10585, 10916, OR 10917 ON 42"-48"-63" TANKS.



BOTTOM MOUNT 16 LATERAL (Φ53MM) DISTRIBUTOR HIGH FLOW (42" ~ 63" TANKS) THREAD CONNECTION SLOT: 0.5mm - Grey Color



REMARK: 1PSI=0.007MPa, 1GPM=227L/H

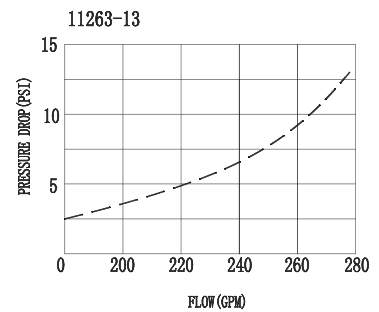
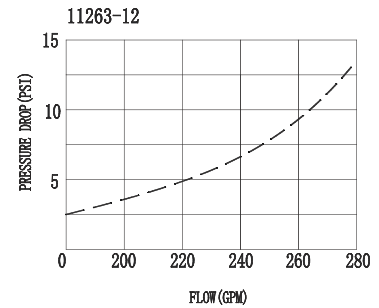
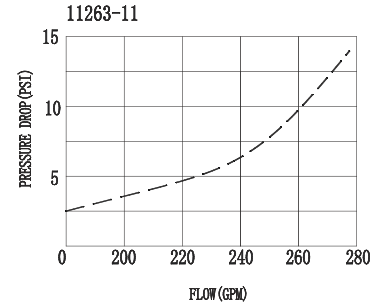
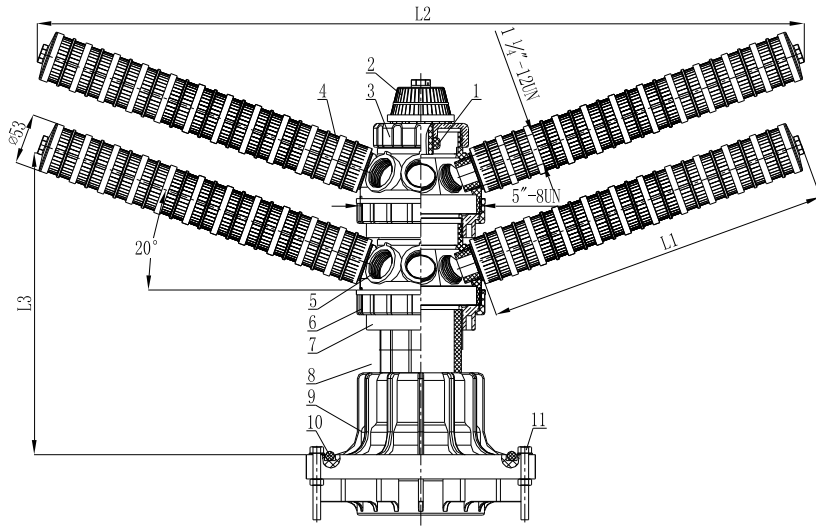


CHART 1- COMPONENTS

ITEM	PART NUMBER	DESCRIPTION	QTY
1	50195	NUT	1
2	10925	FILTER NOZZLE	1
3	50193	CAP	1
4	SEE CHART2	Φ53 LATERAL-THREAD	16
5	11059	HUB - THREAD	2
6	50197	TOP ADAPTER	2
7	50198	BOTTOM ADAPTER	2
8	50255	ENGLISH TUBE	1
9	FLANGE KIT SOLD	FLANGE	0
10	SEPARATELY ,SEE	O RING	0
11	PAGE 39.40	BOLT KIT	0

CHART 2 –Φ53MM LATERAL THREAD PART NUMBERS

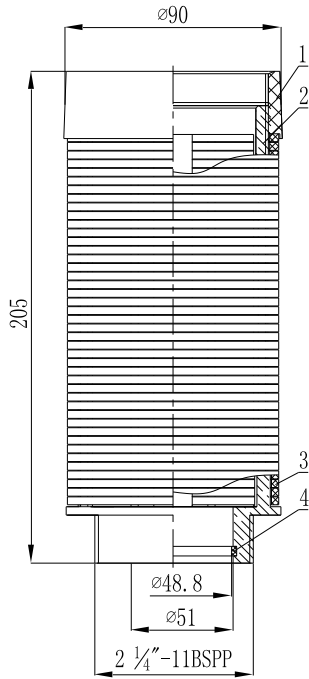
SLOT SIZE	PART NUMBER	L1(MM)	L2(MM)	L3(MM)	TANK DIAMETER (INCHES/MM)
0.5MM	11259-01	431	939	236	42"(1089MM)
0.5MM	11258-01	559	1180	280	48"(1233MM)
0.5MM	11257-01	687	1420	324	63"(1625MM)

**CHART 3 – COMPLETE ASSEMBLY PART NUMBERS (0.5MM SLOT)
ENGLISH FLANGE ADAPTER 6"-3"NPT-3"NPT OR 6"-4"UN-3"NPT**

ASSEMBLY PART NUMBER	TANK DIAMETER(INCHES)	Φ53 LATERAL PART NUMBER
11263-11	42"	11257-01
11263-12	48"	11258-01
11263-13	63"	11259-01



**TOP MOUNT 2.5" DIFFUSER DISTRIBUTOR
(12" ~ 36" TANKS)
WAVE CYBER VALVE ONLY
SLOT: 0.5mm - Grey Color**



REMARK: 1PSI=0.007MPa, 1GPM=227L/H

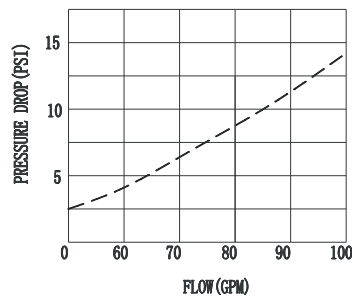


CHART 1- COMPONENTS

ITEM	PART NUMBER	DESCRIPTION	QTY	TANK DIAMETER (INCHES/MM)
1	50184	BASE	1	12"~36"(310~931MM)
2	50181	SHELF	1	
3	50258	0.5MM SLICE	43	
4	50185	ADAPTER RING	1	1.5"PIPE (1.901" O.D.) ONLY 30%GF PP BLACK

CHART 2- COMPLETE ASSEMBLY PART NUMBER (0.5MM SLOT)

ENGLISH CONNECTION (1.5" (1.901" O.D.))

PART NUMBER	TANK DIAMETER(INCHES)
10933-01	12"~36"-E



TOP/BOTTOM MOUNT 2.5" DIFFUSER DISTRIBUTOR (12" ~ 36" TANKS)

SLOT: 0.5mm - Grey Color

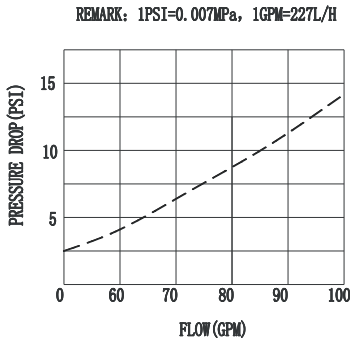
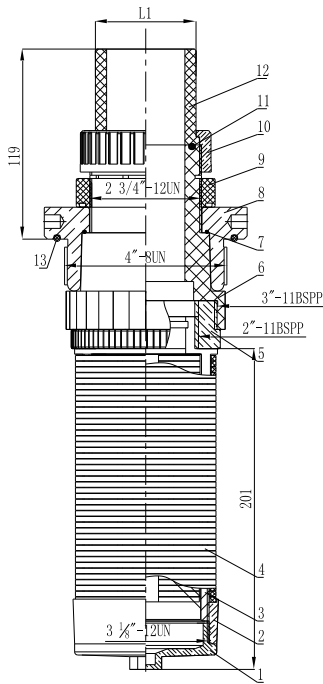


CHART 1- COMPONENTS

ITEM	PART NUMBER	DESCRIPTION	QTY
1	50183	CAP	1
2	50184	BASE	1
3	50181	SHELF	1
4	50258	0.5MM SLICE	43
5	10728	ADAPTER	1
6	50178	TUBE	1
7	10833	O RING	1
8	11017	4" ADAPTER	1
9	50179	NUT	1
10	10715	UNION	1
11	10834	O RING	1
12	10716	2" PIPE (2.374" O.D.) PVC GREY	1
13	10229	O RING	1

CHART 2- COMPLETE ASSEMBLY PART NUMBERS (0.5MM SLOT)

ENGLISH CONNECTION 2" PIPE (2.374" O.D.)

ASSEMBLY PART NUMBER	TANK DIAMETER(INCHES)
10932-01	12"~36"



TOP MOUNT 3" DIFFUSER DISTRIBUTOR HIGH FLOW (42" ~ 63" TANKS) SLOT: 0.5mm - Grey Color

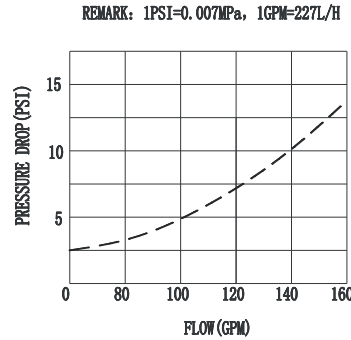
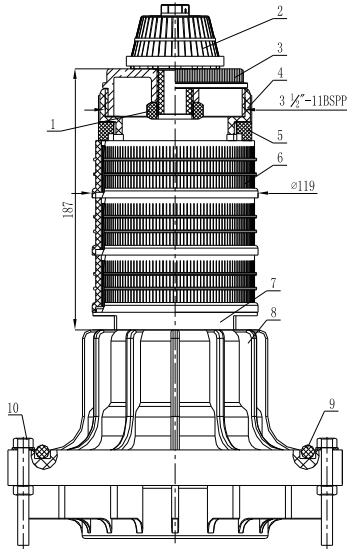


CHART 1- COMPONENTS

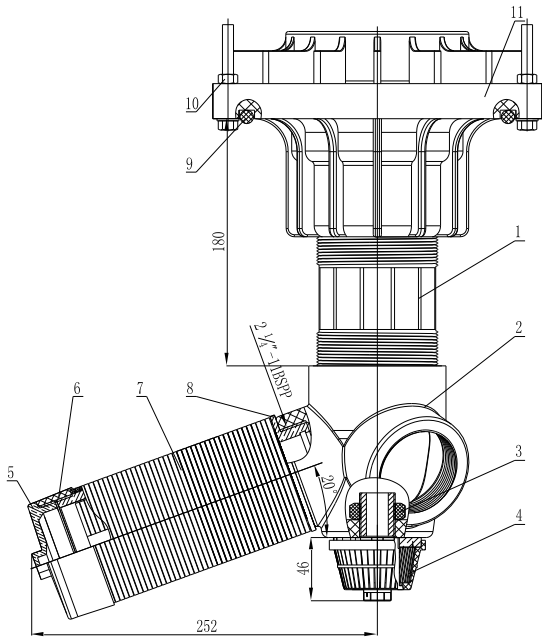
ITEM	PART NUMBER	DESCRIPTION	QTY
1	50195	NUT	1
2	10925	FILTER NOZZLE	1
3	50188	DIFFUSER CAP	1
4	10729	ADAPTER	1
5	50189	ADAPTER RING	1
6	50259	0.5MM BASKET	3
7	50257	ENGLISH BASE	1
8	FLANGE KIT SOLD SEPARATELY ,SEE PAGE	FLANGE	0
9		O RING	0
10		BOLT KIT	0
	39.40		

CHART 2 – COMPLETE ASSEMBLY PART NUMBERS (0.5MM SLOT)

ENGLISH FLANGE ADAPTER 6"-3"NPT-3"NPT OR 6"-4"UN-3"NPT

ASSEMBLY PART NUMBER	TANK DIAMETER(INCHES)
10928-03	42"~63"

**TOP MOUNT 3" DIFFUSER DISTRIBUTOR
HIGH FLOW (42" ~ 63" TANKS)
SLOT: 0.5mm - Grey Color**



REMARK: 1PSI=0.007MPa, 1GPM=227L/H

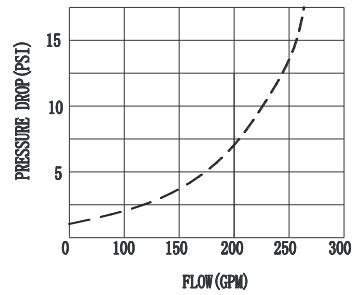


CHART 1- COMPONENTS

ITEM	PART NUMBER	DESCRIPTION	QTY
1	50256	ENGLISH TUBE	1
2	50199	HUB	1
3	50195	NUT	1
4	10925	FILTER NOZZLE	1
5	50183	CAP	3
6	50184	BASE	3
7	50258	0.5MM SLICE	129
8	50181	SHELF	3
9	FLANGE KIT SOLD	O RING	0
10	SEPARATELY ,SEE PAGE	BOLT KIT	0
11	39.40	FLANGE	0

CHART 2 – COMPLETE ASSEMBLY PART NUMBERS (0.5MM SLOT)

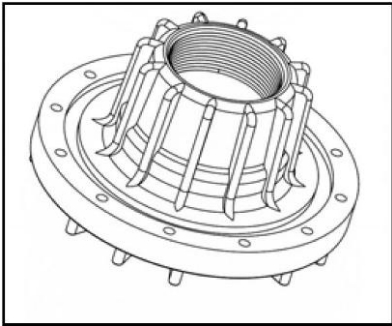
ENGLISH FLANGE ADAPTER 6"-3"NPT-3"NPT OR 6"-4"UN-3"NPT

ASSEMBLY PART NUMBER	TANK DIAMETER(INCHES)
10929-03	42"~63"





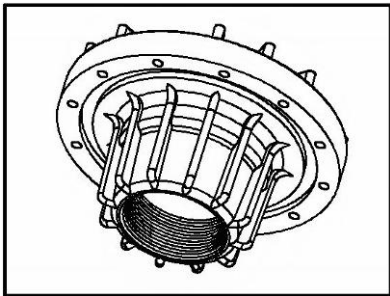
6" Flange Reducer Adapters Kits



DESCRIPTION	PART NUMBER
6" FLG×3"NPT×3"NPT(10222-1) c/w o-ring seal (P/N 10228) and METRIC bolt kit (P/N 20151)	10322
6" FLG×3"BSPP×3"BSPP(10222-2) c/w o-ring seal (P/N 10228) and METRIC bolt kit (P/N 20151)	10323
6" FLG×3"NPT×3"BSPP(10222-3) c/w o-ring seal (P/N 10228) and METRIC bolt kit (P/N 20151)	11299
6"FLG×4"UN×3"NPT(10223-1) c/w o-ring seals (P/N 10228),(P/N 10177) and METRIC bolt kit (P/N 20151)	10324
6"FLG×4"UN×3"BSPP(10223-2) c/w o-ring seals (P/N 10228),(P/N 10177) and METRIC bolt kit (P/N 20151)	10325
6" FLG×3"NPT×3"NPT(10222-1) c/w o-ring seal (P/N 10228) and Metric bolt kit (P/N 20150)	10336
6" FLG×3"BSPP×3"BSPP(10222-2) c/w o-ring seal (P/N 10228) and Metric bolt kit (P/N 20150)	10337
6" FLG×3"NPT×3"BSPP(10222-3) c/w o-ring seal (P/N 10228) and Metric bolt kit (P/N 20150)	11298
6"FLG×4"UN×3"NPT(10223-1) c/w o-ring seals (P/N 10228),(P/N 10177) and Metric bolt kit (P/N 20150)	10338
6"FLG×4"UN×3"BSPP(10223-2) c/w o-ring seals (P/N 10228),(P/N 10177) and Metric bolt kit (P/N 20150)	10339



6" Flange Reducer Closure Kits



DESCRIPTION	PART NUMBER
6" FLG×4"UN×3"NPT(10340) c/w o-ring seal (P/N 10228) and METRIC bolt kit (P/N 20151)	10584
6" FLG×4"UN×3"NPT(10340) c/w o-ring seal (P/N 10228) and Metric bolt kit (P/N 20150)	10585
6" FLG×4"UN×3"BSPP(10915) c/w o-ring seal (P/N 10228) and METRIC bolt kit (P/N 20151)	10916
6" FLG×4"UN×3"BSPP(10915) c/w o-ring seal (P/N 10228) and Metric bolt kit (P/N 20150)	10917

Other Accessories



DESCRIPTION	PART NUMBER
6" FLG METRIC bolt kit,SS304 c/w 12 sets 5/16"-18 UNC*2-3/4" screws, nuts and washers	20151
6" FLG Metric bolt kit,SS304 c/w 12 sets GB5782-86-M8*70 mm screws, nuts and washers	20150
6" FLG adapter O-ring seal,180.4mm×φ9.8mm	10228
4" adapter O-ring face seal,107mm×φ4mm	10229
4" adapter O-ring chamfer seal,92mm×φ5.3mm	10177



Contact us :

Address : No.899, Songying Road,
Qingpu Industries Zone,
Qingpu District, Shanghai China

Post Code : 201703

Tel : 86-21-69758588

Fax : 86-21-69758288

E-mail : info@wave-cyber.com



www.wave-cyber.com

Wave Cyber (Shanghai) Co.,

151119WCDEN-5A