



# Distributor Catalog 6

**Threaded Connect 0.5 mm slot**

**Metric Connection**

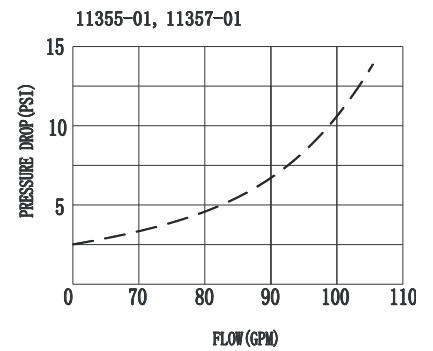
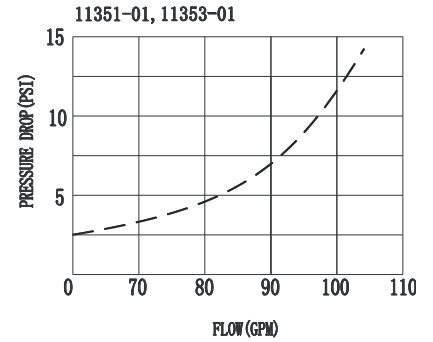
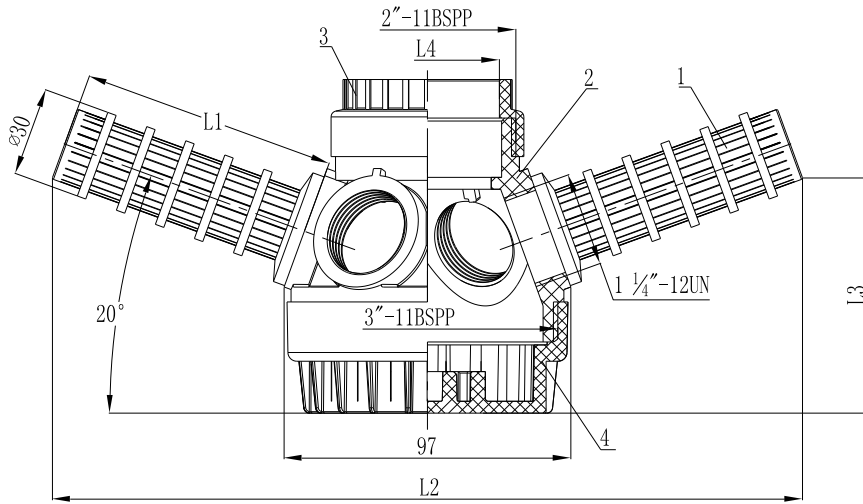
[www.wave-cyber.com](http://www.wave-cyber.com)

Wave Cyber ( Shanghai ) Co., Ltd.

151119WCDEEN-6A

# TOP MOUNT 6 LATERAL (Φ30MM) DISTRIBUTOR (12" ~ 21" TANKS) THREAD CONNECTION SLOT: 0.5mm - Grey Color

REMARK: 1PSI=0.007MPa, 1GPM=227L/H



**CHART 1- COMPONENTS**

ITEM	PART NUMBER	DESCRIPTION	QTY
1	SEE CHART 2	Φ30 LATERAL-THREAD	6
2	11058	HUB-THREAD	1
3	50175	50 MM O.D. PIPE ABS BLACK(SOCKET FIT)	1
4	50235	BOTTOM CAP	1
TOOL	50177	SPLINE	1

**CHART 2 –Φ30MM LATERAL-THREAD PART NUMBERS**

SOLT SIZE	PART NUMBER	L1(MM)	L2(MM)	L3(MM)	TANK DIAMETER (INCHES/MM)
0.5MM	50251	100	279	84	12"(310MM)
0.5MM	50252	114	305	89	13" AND 14"(336~363MM)
0.5MM	50253	142	358	98	16"(413MM)
0.5MM	50254	184	437	112	18" AND 21"(486~555MM)

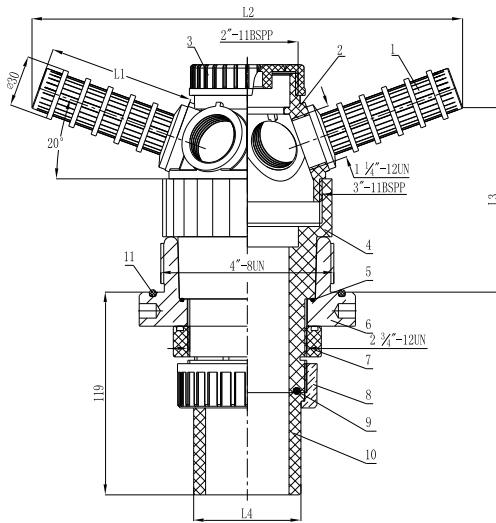
**CHART 3 – COMPLETE ASSEMBLY PART NUMBERS (0.5MM SLOT)  
METRIC CONNECTION (50 MM O.D. PIPE)**

ASSEMBLY PART NUMBER	TANK DIAMETER (INCHES)	Φ30 LATERAL PART NUMBER
11351-01	12"	50251
11353-01	13"/14"	50252
11355-01	16"	50253
11357-01	18"/21"	50254

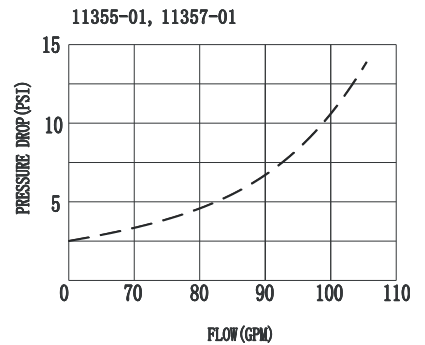
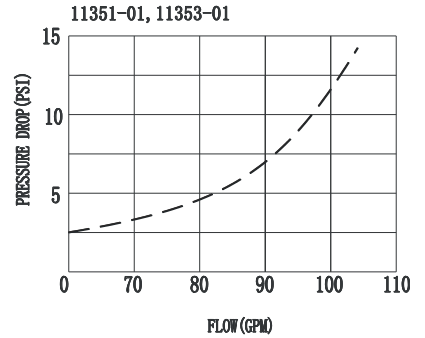


# BOTTOM MOUNT 6 LATERAL (Φ30MM) DISTRIBUTOR (12" ~ 21" TANKS) THREAD CONNECTION

SLOT: 0.5mm - Grey Color



REMARK: 1PSI=0.007MPa, 1GPM=227L/H



**CHART 1- COMPONENTS**

ITEM	PART NUMBER	DESCRIPTION	QTY
1	SEE CHART 2	Φ30 LATERAL-THREAD	6
2	11058	HUB-THREAD	1
3	50176	TOP CAP	1
4	50178	TUBE	1
5	10833	O RING	1
6	11017	4" ADAPTER	1
7	50179	NUT	1
8	10715	UNION	1
9	10834	O RING	1
10	10717	63MM O.D. PIPE PVC GREY(SOCKET FIT)	1
11	10229	O RING	1
TOOL	50177	SPLINE	1

**CHART 2 –Φ30MM LATERAL-THREAD PART NUMBERS**

SOLT SIZE	PART NUMBER	L1(MM)	L2(MM)	L3(MM)	TANK DIAMETER (INCHES/MM)
0.5MM	50251	100	279	84	12"(310MM)
0.5MM	50252	114	305	89	13" AND 14"(336~363MM)
0.5MM	50253	142	358	98	16"(413MM)
0.5MM	50254	184	437	112	18" AND 21"(486~555MM)

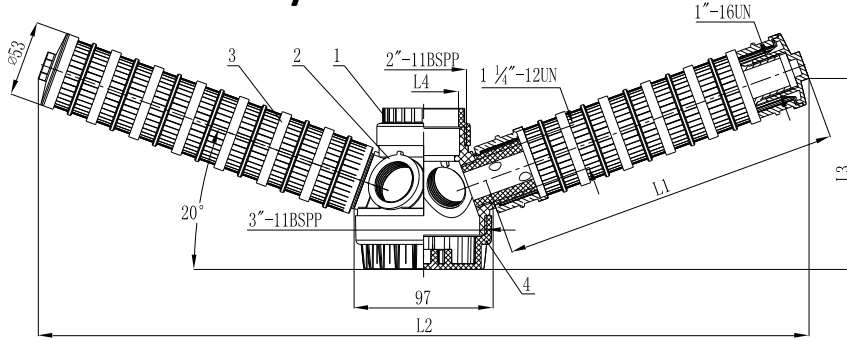
**CHART 3 – COMPLETE ASSEMBLY PART NUMBERS (0.5MM SLOT)  
METRIC CONNECTION (63MM O.D. PIPE)**

ASSEMBLY PART NUMBER	TANK DIAMETER(INCHES)	Φ30 LATERAL PART NUMBER
11361-01	12"	50251
11363-01	13"/14"	50252
11365-01	16"	50253
11367-01	18"/21"	50254



# TOP MOUNT 6 LATERAL (Φ53MM) DISTRIBUTOR (18" ~ 48" TANKS) THREAD CONNECTION

SLOT: 0.5mm - Grey Color



**CHART 1- COMPONENTS**

ITEM	PART NUMBER	DESCRIPTION	QTY
1	SEE CHART 3	ADAPTER	1
2	11058	HUB-THREAD	1
3	SEE CHART 2	Φ53 LATERAL ASSEMBLY-THREAD	6
4	50235	BOTTOM CAP	1
TOOL	50177	SPLINE	1

**CHART 2 –Φ53MM LATERAL PART NUMBERS**

SLOT SIZE	PART	L1(MM)	L2(MM)	L3(MM)	TANK DIAMETER
0.5MM	11252-01	143	365	103	18"(486MM)
0.5MM	11253-01	175	425	114	21"(555MM)
0.5MM	11254-01	239	545	136	24"(624MM)
0.5MM	11255-01	303	666	158	30"(779MM)
0.5MM	11256-01	367	786	180	36"(931MM)
0.5MM	11257-01	431	906	200	42"(1089MM)
0.5MM	11258-01	559	1147	246	48"(1233MM)

**CHART 3 – ADAPTER PART NUMBERS**

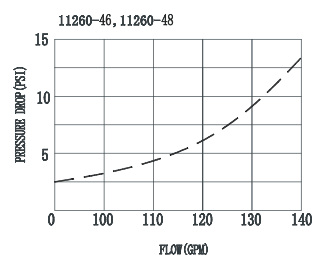
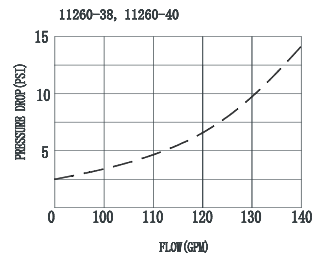
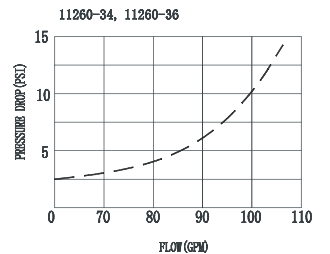
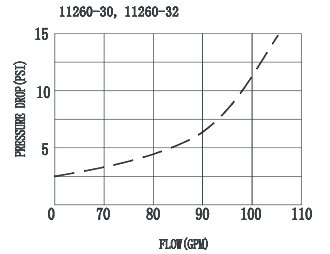
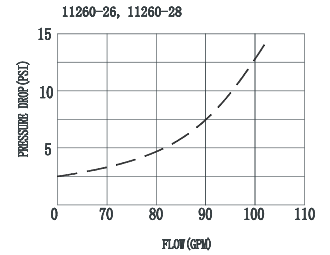
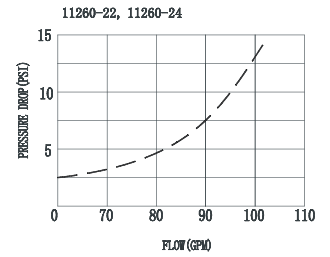
PART NUMBER	CENTRAL PIPE DIAMETER	L4(MM)
50175	50MM O.D. PIPE ABS BLACK (SOCKET FIT)	50
10727	63MM O.D. PIPE ABS BLACK (SOCKET FIT)	63

**CHART 4 – COMPLETE ASSEMBLY PART NUMBERS (0.5MM SLOT)  
METRIC CONNECTION (50MM O.D. PIPE OR 63MM O.D. PIPE)**

ASSEMBLY	TANK DIAMETER	Φ53 LATERAL PART	ADAPTER PART
11260-22	18"	11252-01	50175-M
11260-24	18"	11252-01	10727-M
11260-26	21"	11253-01	50175-M
11260-28	21"	11253-01	10727-M
11260-30	24"	11254-01	50175-M
11260-32	24"	11254-01	10727-M
11260-34	30"	11255-01	50175-M
11260-36	30"	11255-01	10727-M
11260-38	36"	11256-01	50175-M
11260-40	36"	11256-01	10727-M
11260-46	42"	11257-01	10727-M
11260-48	48"	11258-01	10727-M

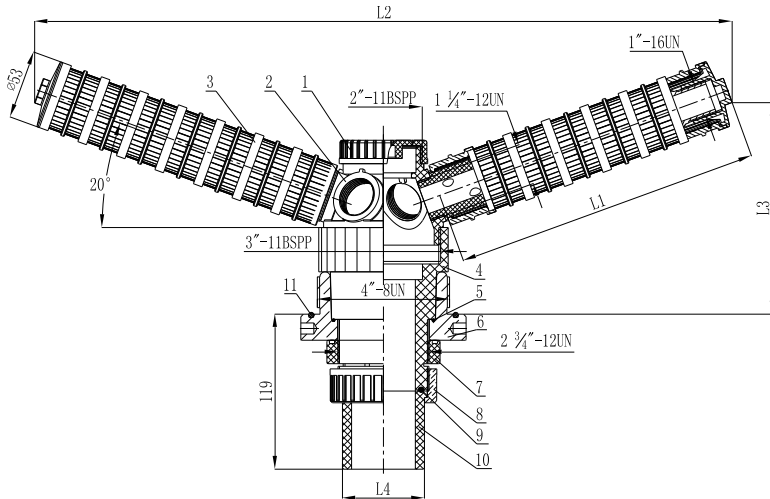
NOTE: 42"- 48" ARE FOR 63MM OD PIPE ONLY

REMARK: 1PSI=0.007MPa, 1GPM=227L/H

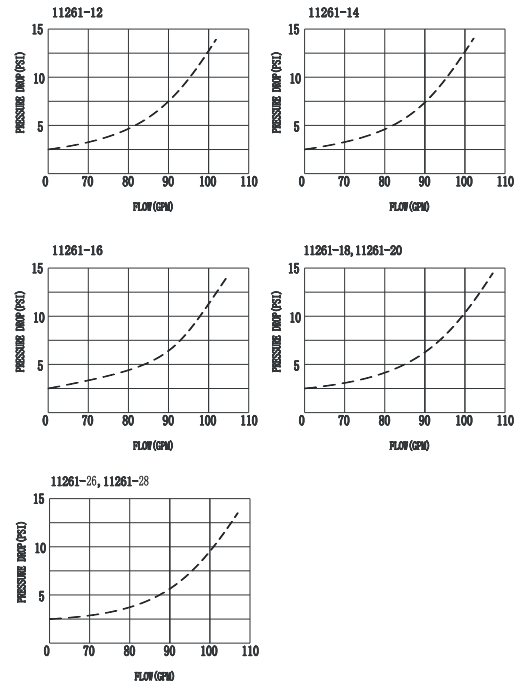


# BOTTOM MOUNT 6 LATERAL (Φ53MM) DISTRIBUTOR (18" ~ 48" TANKS) THREAD CONNECTION

SLOT: 0.5mm - Grey Color



REMARK: 1PSI=0.007MPa, 1GPM=227L/H



**CHART 1- COMPONENTS**

ITEM	PART NUMBER	DESCRIPTION	QTY
1	50176	TOP CAP	1
2	11058	HUB-THREAD	1
3	SEE CHART 2	Φ53 LATERAL ASSEMBLY-THREAD	6
4	50238	TUBE	1
5	10833	O RING	1
6	11017	4" ADAPTER	1
7	50179	NUT	1
8	10715	UNION	1
9	10834	O RING	1
10	10717	63MM O.D. PIPE PVC GREY(SOCKET FIT)	1
11	10229	O RING	1
TOOL	50177	SPLINE	1

**CHART 2 –Φ53MM LATERAL THREAD PART NUMBERS**

SLOT SIZE	PART NUMBER	L1(MM)	L2(MM)	L3(MM)	TANK DIAMETER (INCHES/MM)
0.5MM	11252-01	143	365	131	18"(486MM)
0.5MM	11253-01	175	425	142	21"(555MM)
0.5MM	11254-01	239	545	164	24"(624MM)
0.5MM	11255-01	303	666	186	30"(779MM)
0.5MM	11256-01	367	786	208	36"(931MM)
0.5MM	11257-01	431	939	236	42"(1089MM)
0.5MM	11258-01	559	1180	280	48"(1233MM)

**CHART 3 – COMPLETE ASSEMBLY PART NUMBERS (0.5MM SLOT)  
METRIC CONNECTION (63MM O.D.)**

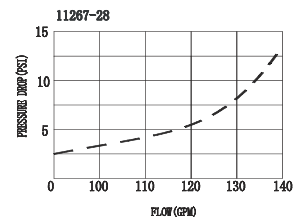
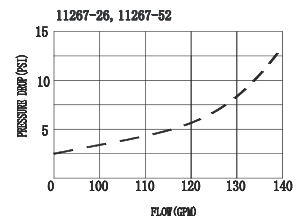
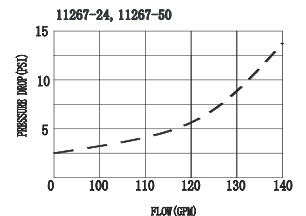
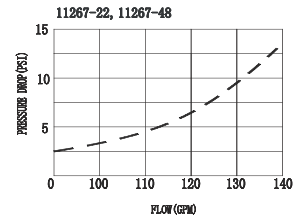
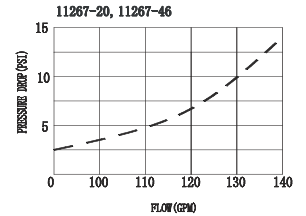
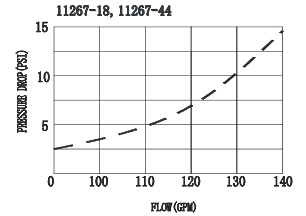
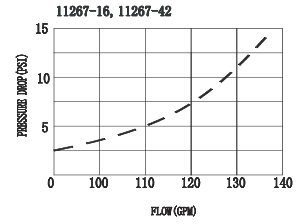
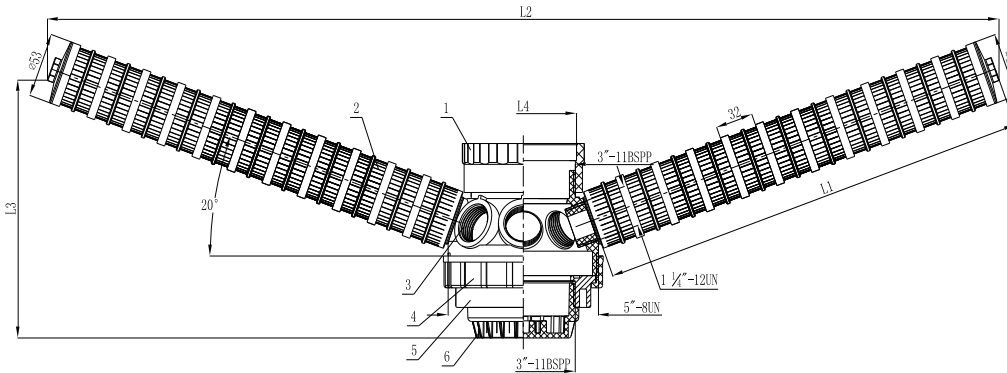
ASSEMBLY PART NUMBER	TANK DIAMETER(INCHES)	Φ53 LATERAL PART NUMBER
11261-12	18"	11252-01
11261-14	21"	11253-01
11261-16	24"	11254-01
11261-18	30"	11255-01
11261-20	36"	11256-01
11261-26	42"	11257-01
11261-28	48"	11258-01



# TOP MOUNT 8 LATERAL (Φ53MM) DISTRIBUTOR (21" ~ 63" TANKS) THREAD CONNECTION SLOT: 0.5mm - Grey Color



REMARK: 1PSI=0.007MPa, 1GPM=227L/H



**CHART 1- COMPONENTS**

ITEM	PART NUMBER	DESCRIPTION	QTY
1	SEE CHART 3	ADAPTER	1
2	SEE CHART 2	Φ53 LATERAL ASSY- THREAD	8
3	11059	HUB-THREAD	1
4	50197	TOP ADAPTER	1
5	50198	BOTTOM ADAPTER	1
6	50236	BOTTOM CAP	1

**CHART 2 –Φ53MM LATERAL THREAD PART NUMBERS**

SLOT	PART	L1(MM)	L2(MM)	L3(MM)	TANK DIAMETER
0.5MM	11253-01	175	458	148	21"(555MM)
0.5MM	11254-01	239	579	170	24"(624MM)
0.5MM	11255-01	303	699	192	30"(779MM)
0.5MM	11256-01	367	819	214	36"(931MM)
0.5MM	11257-01	431	939	236	42"(1089MM)
0.5MM	11258-01	559	1180	280	48"(1233MM)
0.5MM	11259-01	687	1420	324	63"(1625MM)

**CHART 3 – ADAPTER PART NUMBERS**

PART NUMBER	CENTRAL PIPE DIAMETER	L4(MM)
11070 AND 11070-1	90MM O.D. PIPE ABS BLACK AND PVC GREY (SOCKET FIT)	90
11423	63MM O.D. PIPE ABS BLACK (SOCKET FIT)	63



# TOP MOUNT 8 LATERAL (Φ53MM) DISTRIBUTOR (21" ~ 63" TANKS) THREAD CONNECTION SLOT: 0.5mm - Grey Color



## CHART 4 – COMPLETE ASSEMBLY PART NUMBERS (0.5MM SLOT)

### METRIC CONNECTION (90MM O.D. PIPE)

ASSEMBLY PART NUMBER	TANK DIAMETER (INCHES)	Φ53 LATERAL PART NUMBER	ADAPTER PART NUMBER
11267-16	21"	11253-01	11070 AND 11070-1
11267-18	24"	11254-01	11070 AND 11070-1
11267-20	30"	11255-01	11070 AND 11070-1
11267-22	36"	11256-01	11070 AND 11070-1
11267-24	42"	11257-01	11070 AND 11070-1
11267-26	48"	11258-01	11070 AND 11070-1
11267-28	63"	11259-01	11070 AND 11070-1

### METRIC CONNECTION (63MM O.D. PIPE)

ASSEMBLY PART NUMBER	TANK DIAMETER (INCHES)	Φ53 LATERAL PART NUMBER	ADAPTER PART NUMBER
11267-42	21"	11253-01	11423
11267-44	24"	11254-01	11423
11267-46	30"	11255-01	11423
11267-48	36"	11256-01	11423
11267-50	42"	11257-01	11423
11267-52	48"	11258-01	11423

RECOMMEND 6" FLANGE CLOSURE KITS 10584, 10585, 10916, OR 10917 ON 42"-48"-63" TANKS.



# BOTTOM MOUNT 8 LATERAL (Φ53MM) DISTRIBUTOR (21" ~ 63" TANKS) THREAD CONNECTION SLOT: 0.5mm - Grey Color

REMARK: 1PSI=0.007MPa, 1GPM=227L/H

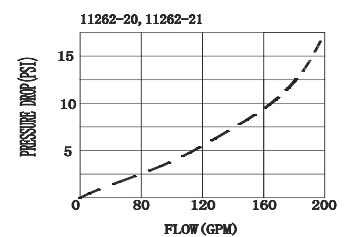
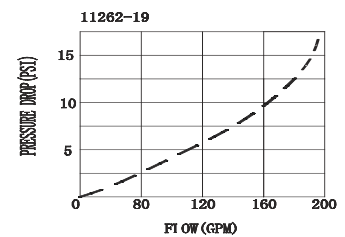
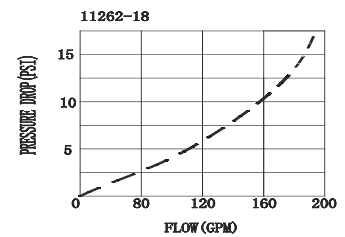
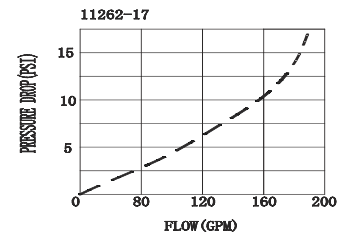
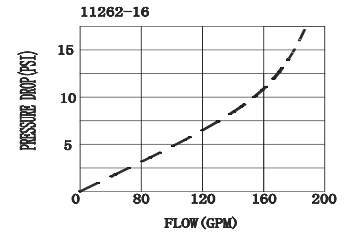
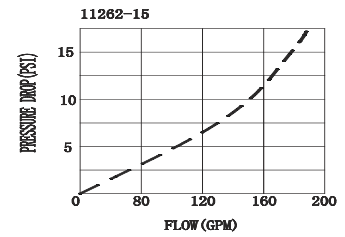
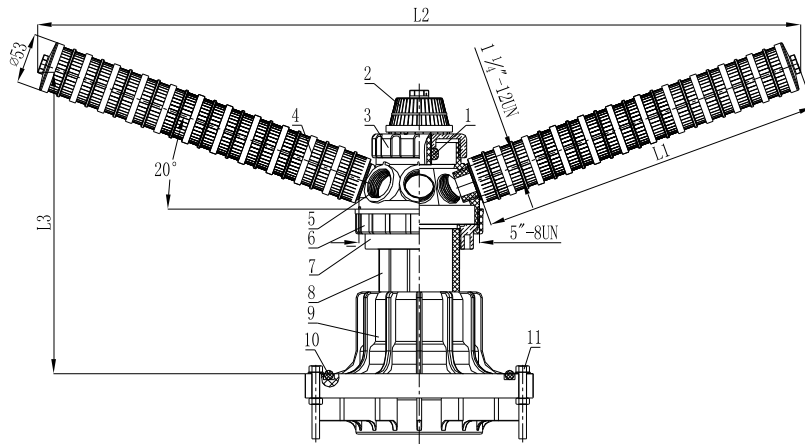


CHART 1- COMPONENTS

ITEM	PART NUMBER	DESCRIPTION	QTY
1	50195	NUT	1
2	10925	FILTER NOZZLE	1
3	50193	CAP	1
4	SEE CHART 2	Φ53 LATERAL ASSEMBLY - THREAD	8
5	11059	HUB-THREAD	1
6	50197	TOP ADAPTER	1
7	50198	BOTTOM ADAPTER	1
8	50237	METRIC TUBE	1
9	FLANGE KIT SOLD SEPARATELY, SEE PAGE 39.40.	FLANGE	0
10		O RING	0
11		BOLT KIT	0

CHART 2 -Φ53MM LATERAL THREAD PART NUMBERS

SLOT SIZE	PART NUMBER	L1(MM)	L2(MM)	L3(MM)	TANK DIAMETER (INCHES/MM)
0.5MM	11253-01	175	458	148	21"(555MM)
0.5MM	11254-01	239	579	170	24"(624MM)
0.5MM	11255-01	303	699	192	30"(779MM)
0.5MM	11256-01	367	819	214	36"(931MM)
0.5MM	11257-01	431	939	236	42"(1089MM)
0.5MM	11258-01	559	1180	280	48"(1233MM)
0.5MM	11259-01	687	1420	324	63"(1625MM)

CHART 3 - COMPLETE ASSEMBLY PART NUMBERS (0.5MM SLOT)

METRIC FLANGE ADAPTER 6"-3"BSPP-3"BSPP OR 6"-3"NPT-3"BSPP OR 6"-4"UN-3"BSPP

ASSEMBLY PART NUMBER	TANK DIAMETER(INCHES)	Φ53 LATERAL PART NUMBER
11262-15	21"	11253-01
11262-16	24"	11254-01
11262-17	30"	11255-01
11262-18	36"	11256-01
11262-19	42"	11257-01
11262-20	48"	11258-01
11262-21	63"	11259-01

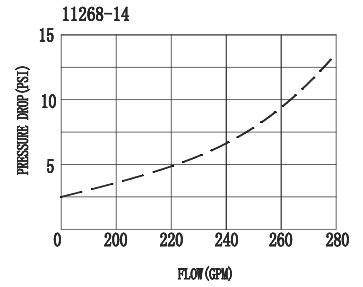
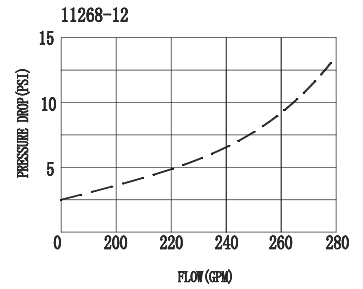
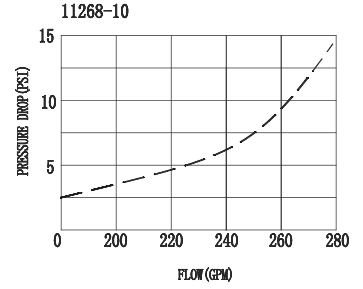
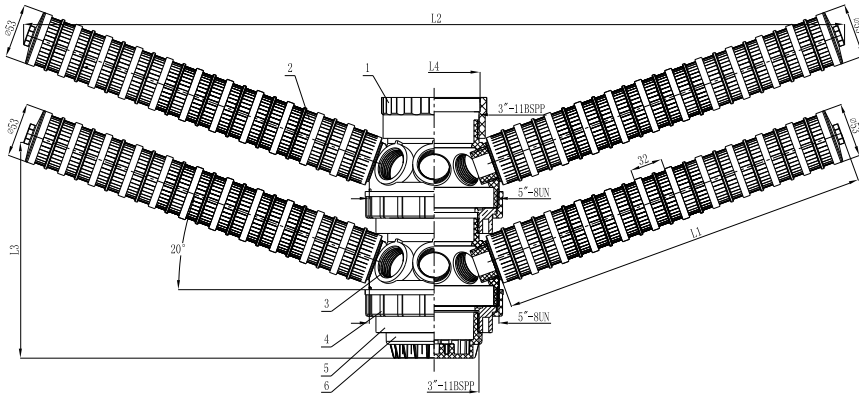




# TOP MOUNT 16 LATERAL (Φ53MM) DISTRIBUTOR HIGH FLOW (42" ~ 63" TANKS) THREAD CONNECTION SLOT: 0.5mm - Grey Color



REMARK: 1PSI=0.007MPa, 1GPM=227L/H



**CHART 1- COMPONENTS**

ITEM	PART NUMBER	DESCRIPTION	QTY
1	11070 AND 11070-1	90MM O.D. PIPE ABS BLACK AND PVC GREY (SOCKET FIT)	1
2	SEE CHART 2	Φ53 LATERAL ASSY- THREAD	16
3	11059	HUB-THREAD	2
4	50197	TOP ADAPTER	2
5	50198	BOTTOM ADAPTER	2
6	50236	BOTTOM CAP	1

**CHART 2 –Φ53MM LATERAL THREAD PART NUMBERS**

SLOT SIZE	PART NUMBER	L1(MM)	L2(MM)	L3(MM)	TANK DIAMETER (INCHES/MM)
0.5MM	11257-01	431	939	236	42"(1089MM)
0.5MM	11258-01	559	1180	280	48"(1233MM)
0.5MM	11259-01	687	1420	324	63"(1625MM)

**CHART 3 – COMPLETE ASSEMBLY PART NUMBERS (0.5MM SLOT)**

**METRIC CONNECTION (90MM O.D. PIPE)**

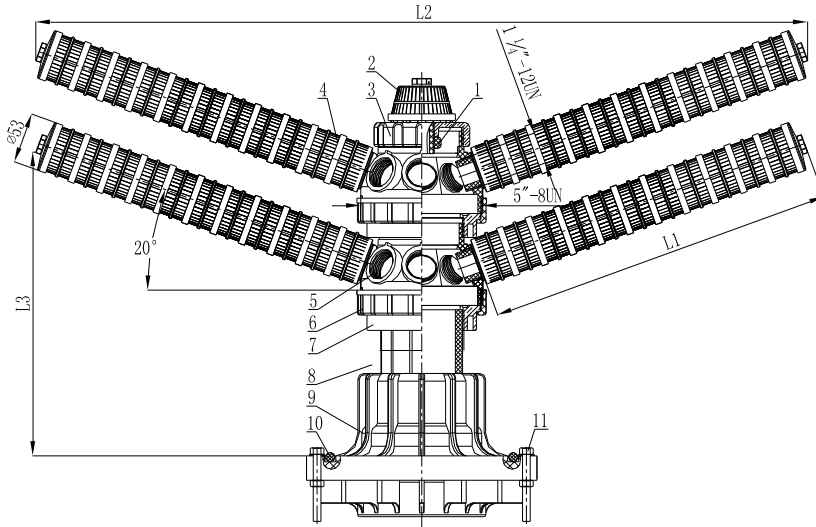
ASSEMBLY PART NUMBER	TANK DIAMETER(INCHES)	Φ53 LATERAL PART NUMBER
11268-10	42"	11257-01
11268-12	48"	11258-01
11268-14	63"	11259-01

RECOMMEND 6" FLANGE CLOSURE KITS 10584, 10585, 10916, OR 10917 ON 42"-48"-63" TANKS.



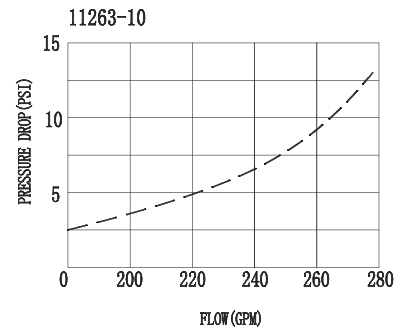
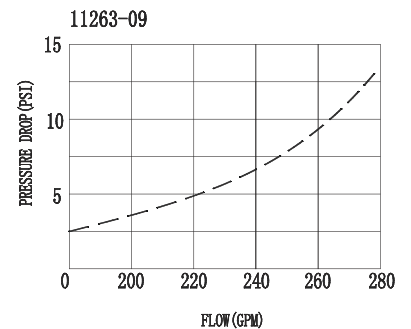
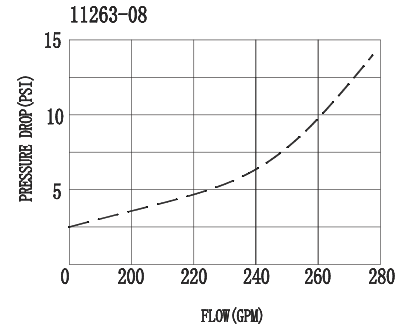
# BOTTOM MOUNT 16 LATERAL (Φ53MM) DISTRIBUTOR HIGH FLOW (42" ~ 63" TANKS) THREAD CONNECTION SLOT: 0.5mm - Grey Color

REMARK: 1PSI=0.007MPa, 1GPM=227L/H



**CHART 1- COMPONENTS**

ITEM	PART NUMBER	DESCRIPTION	QTY
1	50195	NUT	1
2	10925	FILTER NOZZLE	1
3	50193	CAP	1
4	SEE CHART2	Φ53 LATERAL-THREAD	16
5	11059	HUB - THREAD	2
6	50197	TOP ADAPTER	2
7	50198	BOTTOM ADAPTER	2
8	50237	METRIC TUBE	1
9	FLANGE KIT SOLD	FLANGE	0
10	SEPARATELY ,SEE PAGE	O RING	0
11	39,40	BOLT KIT	0



**CHART 2 –Φ53MM LATERAL THREAD PART NUMBERS**

SLOT	PART NUMBER	L1(MM)	L2(MM)	L3(MM)	TANK DIAMETER
0.5MM	11259-01	431	939	236	42"(1089MM)
0.5MM	11258-01	559	1180	280	48"(1233MM)
0.5MM	11257-01	687	1420	324	63"(1625MM)

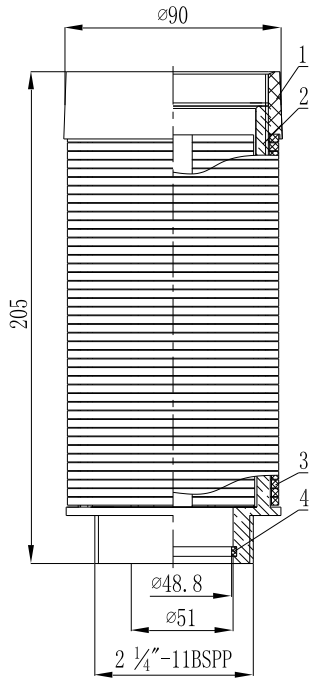
**CHART 3 – COMPLETE ASSEMBLY PART NUMBERS (0.5MM SLOT)**

**METRIC FLANGE ADAPTER 6"-3"BSPP-3"BSPP OR 6"-3"NPT-3"BSPP OR 6"-4"UN-3"BSPP**

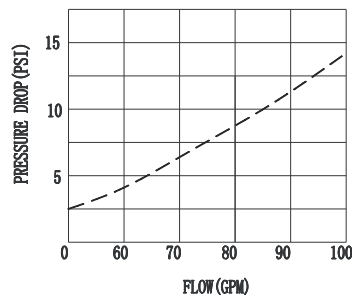
ASSEMBLY PART NUMBER	TANK DIAMETER(INCHES)	Φ53 LATERAL PART NUMBER
11263-08	42"	11257-01
11263-09	48"	11258-01
11263-10	63"	11259-01



**TOP MOUNT 2.5" DIFFUSER DISTRIBUTOR  
(12" ~ 36" TANKS)  
WAVE CYBER VALVE ONLY  
SLOT: 0.5mm - Grey Color**



REMARK: 1PSI=0.007MPa, 1GPM=227L/H



**CHART 1- COMPONENTS**

ITEM	PART NUMBER	DESCRIPTION	QTY	TANK DIAMETER (INCHES/MM)
1	50184	BASE	1	12"~36"(310~931MM)
2	50181	SHELF	1	
3	50258	0.5MM SLICE	43	

**CHART2- COMPLETE ASSEMBLY PART NUMBER (0.5MM SLOT)**

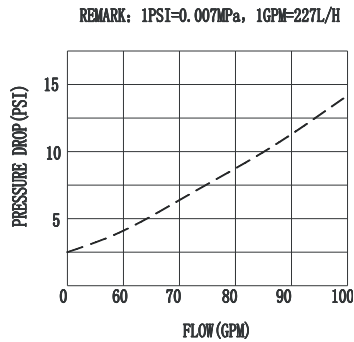
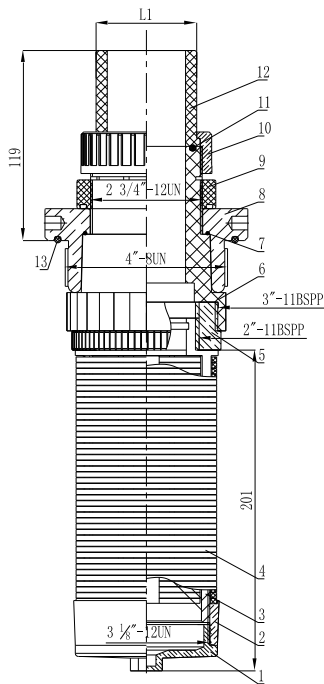
**METRIC CONNECTION (50MM O.D. RISER PIPE)**

PART NUMBER	TANK DIAMETER(INCHES)
11251-01	12"~36"-M



# TOP/BOTTOM MOUNT 2.5" DIFFUSER DISTRIBUTOR (12" ~ 36" TANKS)

SLOT: 0.5mm - Grey Color



**CHART 1- COMPONENTS**

ITEM	PART NUMBER	DESCRIPTION	QTY
1	50183	CAP	1
2	50184	BASE	1
3	50181	SHELF	1
4	50258	0.5MM SLICE	43
5	10728	ADAPTER	1
6	50178	TUBE	1
7	10833	O RING	1
8	11017	4" ADAPTER	1
9	50179	NUT	1
10	10715	UNION	1
11	10834	O RING	1
12	10717	63MM O.D. PIPE	1
13	10229	O RING	1

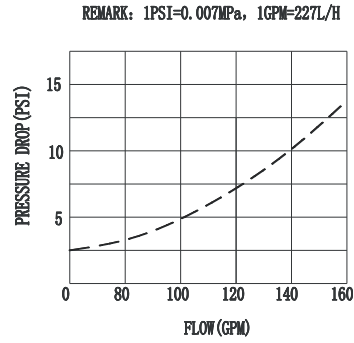
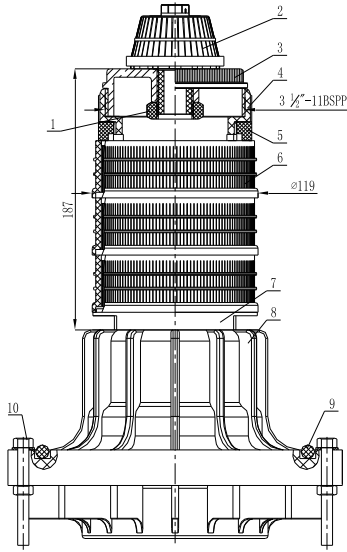
**CHART 2- COMPLETE ASSEMBLY PART NUMBERS (0.5MM SLOT)**

**METRIC CONNECTION( 63MM O.D. PIPE)**

ASSEMBLY PART NUMBER	TANK DIAMETER(INCHES)
11250-01	12"~36"



# TOP MOUNT 3" DIFFUSER DISTRIBUTOR HIGH FLOW (42" ~ 63" TANKS) SLOT: 0.5mm - Grey Color



**CHART 1- COMPONENTS**

ITEM	PART NUMBER	DESCRIPTION	QTY
1	50195	NUT	1
2	10925	FILTER NOZZLE	1
3	50188	DIFFUSER CAP	1
4	10729	ADAPTER	1
5	50189	ADAPTER RING	1
6	50259	0.5MM BASKET	3
7	50186	METRIC BASE	1
8	FLANGE KIT SOLD SEPARATELY ,SEE PAGE 39,40	FLANGE	0
9		O RING	0
10		BOLT KIT	0

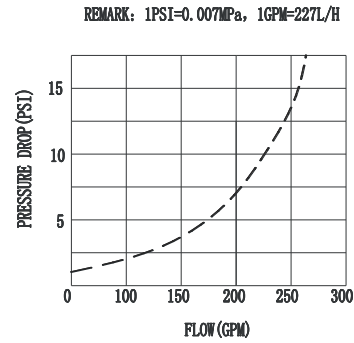
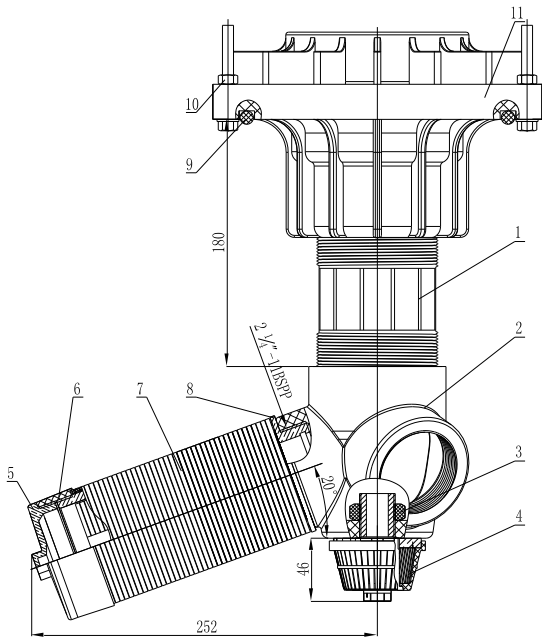
**CHART 2 – COMPLETE ASSEMBLY PART NUMBERS (0.5MM SLOT)**

**METRIC FLANGE ADAPTER 6"-3"BSPP-3"BSPP OR 6"-3"NPT-3"BSPP OR 6"-4"UN-3"BSPP**

ASSEMBLY PART NUMBER	TANK DIAMETER(INCHES)
10928-02	42"~63"



**TOP MOUNT 3" DIFFUSER DISTRIBUTOR  
HIGH FLOW (42" ~ 63" TANKS)  
SLOT: 0.5mm - Grey Color**



**CHART 1- COMPONENTS**

ITEM	PART NUMBER	DESCRIPTION	QTY
1	50196	METRIC TUBE	1
2	50199	HUB	1
3	50195	NUT	1
4	10925	FILTER NOZZLE	1
5	50183	CAP	3
6	50184	BASE	3
7	50258	0.5MM SLICE	129
8	50181	SHELF	3
9	FLANGE KIT SOLD	O RING	0
10	SEPARATELY ,SEE PAGE	BOLT KIT	0
11	39,40	FLANGE	0

**CHART 2 – COMPLETE ASSEMBLY PART NUMBERS (0.5MM SLOT)**

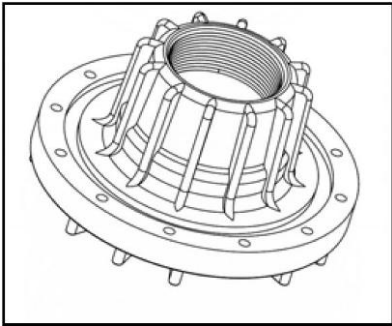
**METRIC FLANGE ADAPTER 6"-3"BSPP-3"BSPP OR 6"-3"NPT-3"BSPP OR 6"-4"UN-3"BSPP**

ASSEMBLY PART NUMBER	TANK DIAMETER(INCHES)
10929-02	42"~63"





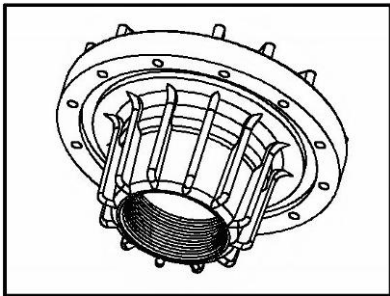
## 6" Flange Reducer Adapters Kits



DESCRIPTION	PART NUMBER
6" FLG×3"NPT×3"NPT(10222-1) c/w o-ring seal (P/N 10228) and METRIC bolt kit (P/N 20151)	10322
6" FLG×3"BSPP×3"BSPP(10222-2) c/w o-ring seal (P/N 10228) and METRIC bolt kit (P/N 20151)	10323
6" FLG×3"NPT×3"BSPP(10222-3) c/w o-ring seal (P/N 10228) and METRIC bolt kit (P/N 20151)	11299
6"FLG×4"UN×3"NPT(10223-1) c/w o-ring seals (P/N 10228),(P/N 10177) and METRIC bolt kit (P/N 20151)	10324
6"FLG×4"UN×3"BSPP(10223-2) c/w o-ring seals (P/N 10228),(P/N 10177) and METRIC bolt kit (P/N 20151)	10325
6" FLG×3"NPT×3"NPT(10222-1) c/w o-ring seal (P/N 10228) and Metric bolt kit (P/N 20150)	10336
6" FLG×3"BSPP×3"BSPP(10222-2) c/w o-ring seal (P/N 10228) and Metric bolt kit (P/N 20150)	10337
6" FLG×3"NPT×3"BSPP(10222-3) c/w o-ring seal (P/N 10228) and Metric bolt kit (P/N 20150)	11298
6"FLG×4"UN×3"NPT(10223-1) c/w o-ring seals (P/N 10228),(P/N 10177) and Metric bolt kit (P/N 20150)	10338
6"FLG×4"UN×3"BSPP(10223-2) c/w o-ring seals (P/N 10228),(P/N 10177) and Metric bolt kit (P/N 20150)	10339



## 6" Flange Reducer Closure Kits



DESCRIPTION	PART NUMBER
6" FLG×4"UN×3"NPT(10340) c/w o-ring seal (P/N 10228) and METRIC bolt kit (P/N 20151)	10584
6" FLG×4"UN×3"NPT(10340) c/w o-ring seal (P/N 10228) and Metric bolt kit (P/N 20150)	10585
6" FLG×4"UN×3"BSPP(10915) c/w o-ring seal (P/N 10228) and METRIC bolt kit (P/N 20151)	10916
6" FLG×4"UN×3"BSPP(10915) c/w o-ring seal (P/N 10228) and Metric bolt kit (P/N 20150)	10917

## Other Accessories



DESCRIPTION	PART NUMBER
6" FLG METRIC bolt kit,SS304 c/w 12 sets 5/16"-18 UNC*2-3/4" screws, nuts and washers	20151
6" FLG Metric bolt kit,SS304 c/w 12 sets GB5782-86-M8*70 mm screws, nuts and washers	20150
6" FLG adapter O-ring seal,180.4mm×φ9.8mm	10228
4" adapter O-ring face seal,107mm×φ4mm	10229
4" adapter O-ring chamfer seal,92mm×φ5.3mm	10177





## **Contact us :**

Address : No.899, Songying Road,  
Qingpu Industries Zone,  
Qingpu District, Shanghai China

Post Code : 201703

Tel : 86-21-69758588

Fax : 86-21-69758288

E-mail : [info@wave-cyber.com](mailto:info@wave-cyber.com)



[www.wave-cyber.com](http://www.wave-cyber.com)

Wave Cyber ( Shanghai ) Co.,

151119WCEN-6A